

2023-24 | KOLPIN OUTDOORS



PROTECTING YOUR ESSENTIAL GEAR SINCE 1943



PROTECT THE GEAR YOU NEED. LIVE THE LIFE YOU LOVE.

Whether your journey requires one horse or 400hp; from woodlands to farmland, from marsh to mountain, the need to protect your most important gear is always there.

That's where we come in: building the smartest and toughest protection solutions to keep your investments – and you for that matter – safe and sound no matter what nature dishes out. We are authentic outdoorsmen that created our first gun case over 80 years ago, and have been making it better ever since.

Our products are intuitively designed by engineers who live for the outdoors, and always guaranteed to perform, even in the most demanding environments. And we know that keeping you and your gear safe ultimately leads to what we all live for... better hunts, better rides, turning work into fun, stronger legacies and lasting traditions.

Thank you for choosing Kolpin and carrying on a time-tested lineage of passionate outdoorsmen who demand the best gear to help them live the life they love.

**WE
ARE**

KOLPIN
OUTDOORS

6 RHINO GRIPS

26 STRONGHOLD

36 CLASSIC GUN BOOTS

40 UTV GUN CARRIERS

44 SAW TRANSPORT

48 ATV / UTV STORAGE

57 ACCESORIES

62 PLOW SYSTEMS

73 PLOW SYSTEM ACESSORIES



◆ This product is designed to fit most vehicles, however Kolpin does not guarantee vehicle fitment for all vehicles. See kolpin.com for the latest vehicle fitment. Always refer to your vehicle's OEM operator manual to understand warnings and fitment, which takes precedence over Kolpin product instructions and fitment. Pictures are a representation of the product you will be getting but may vary due to product revisions.

RHINO GRIPS

ENGINEERED TO SAFELY AND SECURELY TRANSPORT YOUR GEAR

We've purpose-built the most versatile way to safely secure and transport your gear. Period.

Whatever your tool, firearm or implement, wherever you want to secure it, take it or mount it, we've got a solution for you.



RHINO GRIPS

SECURE YOUR GEAR AND GO



CHOOSE YOUR GRIP

DESIGNED WITH ONE PRINCIPAL IN MIND:
SAFELY & SECURELY TRANSPORT YOUR GEAR.

Each Rhino Grip model has durable, flexible, rubber grips to grab your gear and a variety of mounting solutions so you can completely customize your gear transport journey.

All Rhino Grips are sold in pairs. All configurations come with mounting hardware except the FLEX models.

RHINO GRIP	CAPACITY	CONSTRUCTION	ROTATION	ANGLE/TILT	GRIP STYLE	STYLES
PRO						
	22.6 KG	Rubber over-molded aluminum	360°	160°	Fixed	Pro: 21560 Polaris L&R ATV: 21561 Polaris L&R UTV: 21562
RATCHETING						
	6.8 KG	Rubber over-molded heavy-duty nylon	360°	Fixed	Adjustable	Ratcheting: 21540 Polaris L&R ATV: 21541 Polaris L&R UTV: 21542
XLR						
	6.8 KG	Rubber over-molded heavy-duty nylon	360°	160°	Adjustable	XLR: 21550 Polaris L&R ATV: 21552 Polaris L&R UTV: 21554 XLR Handlebar: 21556
XLR DOUBLE						
	9 KG	Rubber over-molded heavy-duty nylon	360°	160°	Adjustable	XLR Double: 21551 Polaris L&R ATV: 21553 Polaris L&R UTV: 21555
XL						
	6.8 KG	Rubber over-molded heavy-duty nylon	360°	160°	Fixed	XL: 21510 Handlebar Mount: 21530
XL DOUBLE						
	9 KG	Rubber over-molded heavy-duty nylon	360°	160°	Fixed	XL Double: 21515
STANDARD						
	4.5-6.8 KG	Rubber over-molded nylon	Fixed	Fixed	Fixed	Single: 21500 Double: 21505 Suction Cup: 21520
FLEX						
	6.8 KG	Rubber over-molded nylon	Fixed	Fixed	Fixed	1.5: 21570 3.0: 21571





RHINO GRIP PRO

THE TOUGHEST RHINO GRIPS YET

We've driven these grips over with trucks trying to break them. We've failed. The PROs have not.

Heavy Scoped Rifles, Crossbows, Ice Augers and more are no match for the Pros.

DURABLE GRIPS

Rubber over-molded cast-aluminum

TILT DESIGN

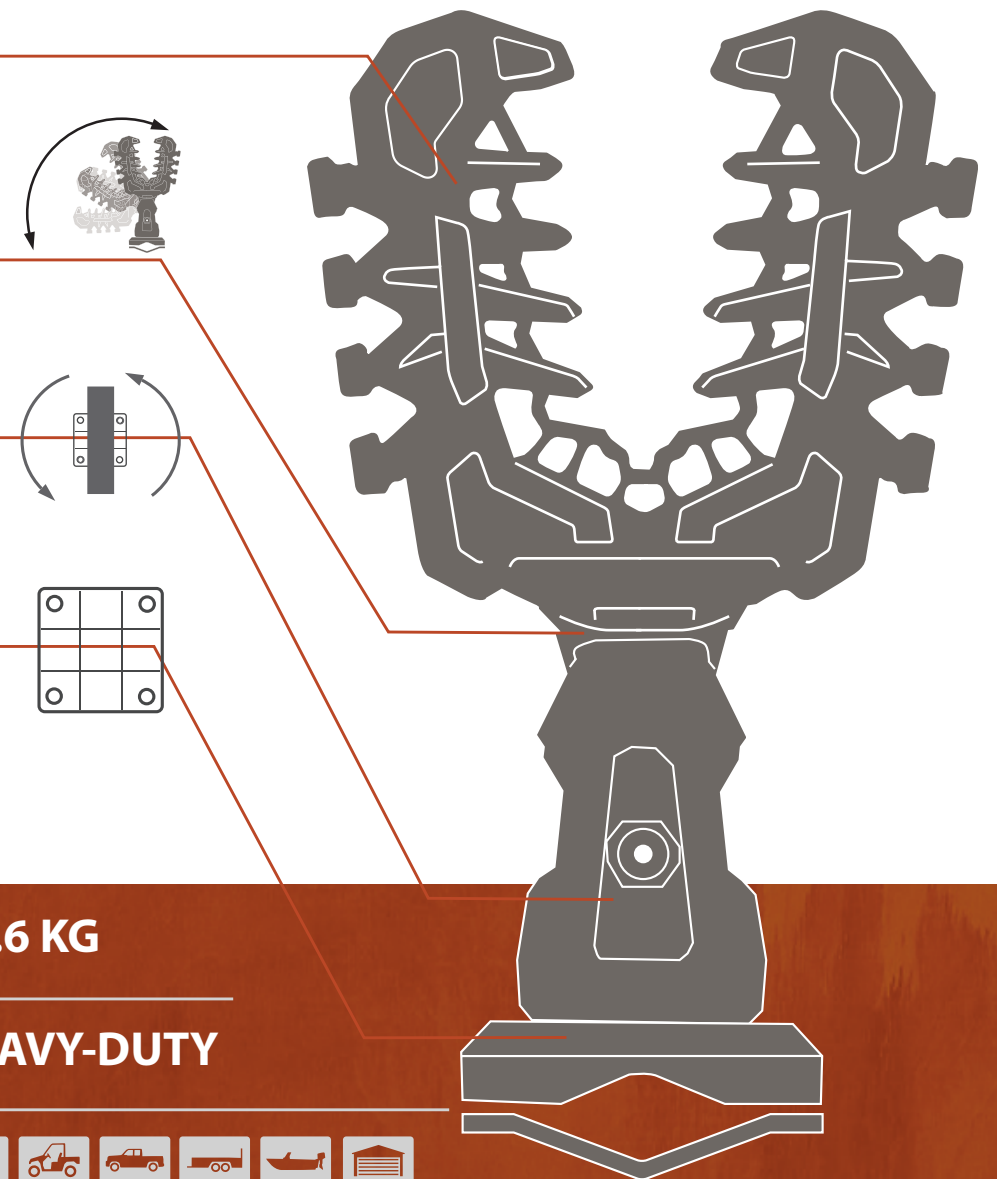
Tilts 160° in 40° increments

ROTATES 360°

Tool-free base rotation

HEAVY-DUTY BASE

Mounts to tubular or square bars from 5/8"-2" in diameter or to flat, drillable surfaces



CAPACITY	22.6 KG
BEST USED FOR	HEAVY-DUTY
WORKS BEST ON	

RHINO GRIP PRO

- 5-Position tooth-indexed tool-free tilt-angling with infinite rotation
- Universal version has 4-corner bolting system
- Polaris Lock & Ride versions include appropriate anchor
- (2) Heavy-duty rubber straps, hardware and mounting plates included



- STANDARD (PAIR) - 21560
- POLARIS SPORTSMAN/RZR (PAIR) - 21561
- POLARIS RANGER/GENERAL (PAIR) - 21562
- HEAVY-DUTY REPLACEMENT STRAPS (PAIR) - 21590





RHINO GRIP RATCHETING

ONE-HANDED CLOSURE OR RELEASE

If you like the idea of one-handed, quick-release button access to your gear and no tie-down straps, these are the solution.

The ability to adjust the 2 grips to different widths to accommodate odd shapes makes these extra-versatile.

RATCHETING DESIGN

Allows securing items from 2.54 - 10.16 cm

GRIP TEXTURE

Compressible rubber

PUSH ARM TO RATCHET CLOSED; QUICK-RELEASE BUTTON

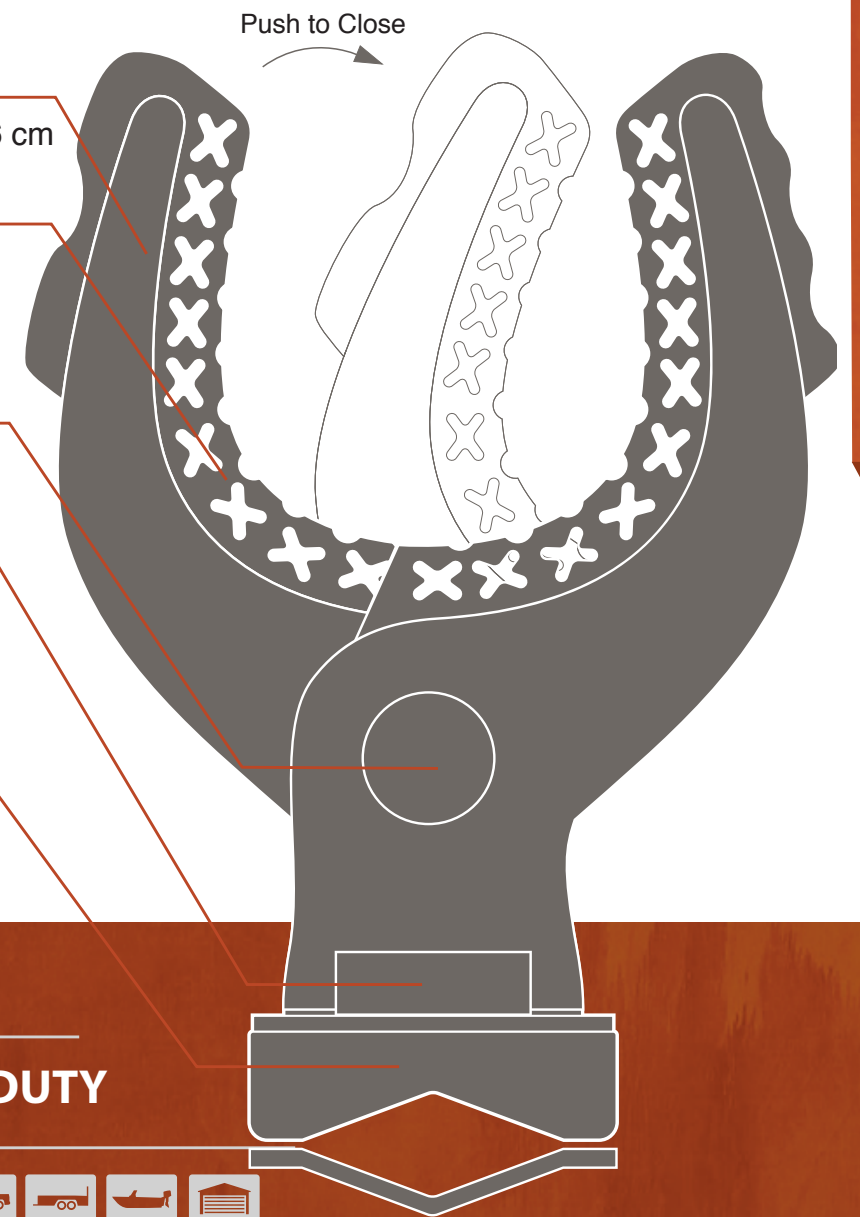
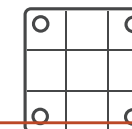
One-handed easy access to gear

KWIK-CLIP DESIGN

Provides on/off and rotational adjustment in field

HEAVY-DUTY BASE SYSTEM

Mounts to tubular or square bars from 1.58-5.08 cm in diameter or to flat, drillable surfaces



CAPACITY 6.8 KG

BEST USED FOR MEDIUM-DUTY

WORKS BEST ON

RATCHETING RHINO GRIP

- Heavy-duty reinforced grip arms with protective internal rubber over-molding
- Indexed ratcheting grip arm secures items from 2.54 - 10.16cm in diameter
- Kwik-Clip design allows base rotation and easy removal of grips from base if needed
- Universal version has 4-corner bolting system
- Polaris Lock & Ride versions include appropriate anchor
- Includes hardware and mounting plates



STANDARD (PAIR) - 21540
POLARIS SPORTSMAN/RZR (PAIR) - 21541
POLARIS RANGER/GENERAL (PAIR) - 21542

COMPATIBLE WITH
POLARIS
LOCK & RIDE



RHINO GRIP XLr

THE MOST POPULAR RHINO GRIP... REDESIGNED

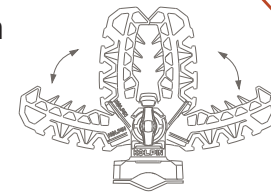
Kolpin's newest addition to the Rhino Grip family. We redesigned our most popular Rhino Grip XL line to have increased clamping functionality, stronger arms, stronger straps, and the ability to move the arms independently to grab all different sized gear.

DURABLE FLEXIBLE GRIPS

Over-molded heavy-duty nylon cushions and protects while providing custom fit

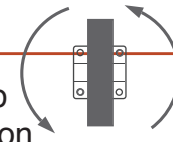
STRENGTH & ADJUSTABILITY

Independent Grip-Arm adjustment for securing both large & small items



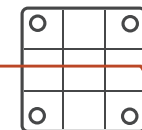
ROTATES 360°

Thumb-screw-actuated grip stabilizer allows 360° rotation



HEAVY-DUTY BASE SYSTEM

Mounts to flat surfaces or 1.9 - 5.08 cm round tubing



CAPACITY 6.8 KG

BEST USED FOR MEDIUM-DUTY

WORKS BEST ON



RHINO GRIP XLr

- Independent tool-free grip-arm adjustment for securing both large and small items such as:
 - Rifles / Shotguns / ARs / Soft Gun Cases / Bows
 - Garden & Farm Tools / Fishing Rods / Ice Augers
 - Hub Blinds / Shelters
- (2) Heavy-Duty retaining straps, hardware & mounting plates included
- Dual-loop straps for securing large and small items with different grip arm positions
- Polaris Lock & Ride versions include appropriate anchor



- STANDARD (PAIR) - 21550
- BAR MOUNT (PAIR) - 21556
- POLARIS SPORTSMAN/RZR (PAIR) - 21552
- POLARIS RANGER/GENERAL (PAIR) - 21554
- HEAVY-DUTY REPLACEMENT STRAPS (PAIR) - 21591





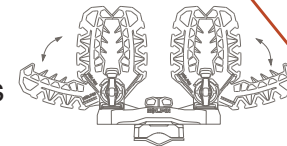
RHINO GRIP XLr DOUBLES

OUR MOST POPULAR GRIPS... REDESIGNED TIMES TWO

2 independent grips that can be set at different widths and carry twice the gear. The time-tested strength of these grips and straps have been enhanced and redesigned to be the most versatile Rhino Grip Doubles we've ever built.

STRENGTH & ADJUSTABILITY

Independent Grip-Arm adjustment for securing both large & small items

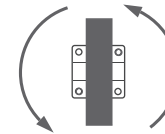


DURABLE FLEXIBLE GRIPS

Over-molded heavy-duty nylon cushions and protects while providing custom fit

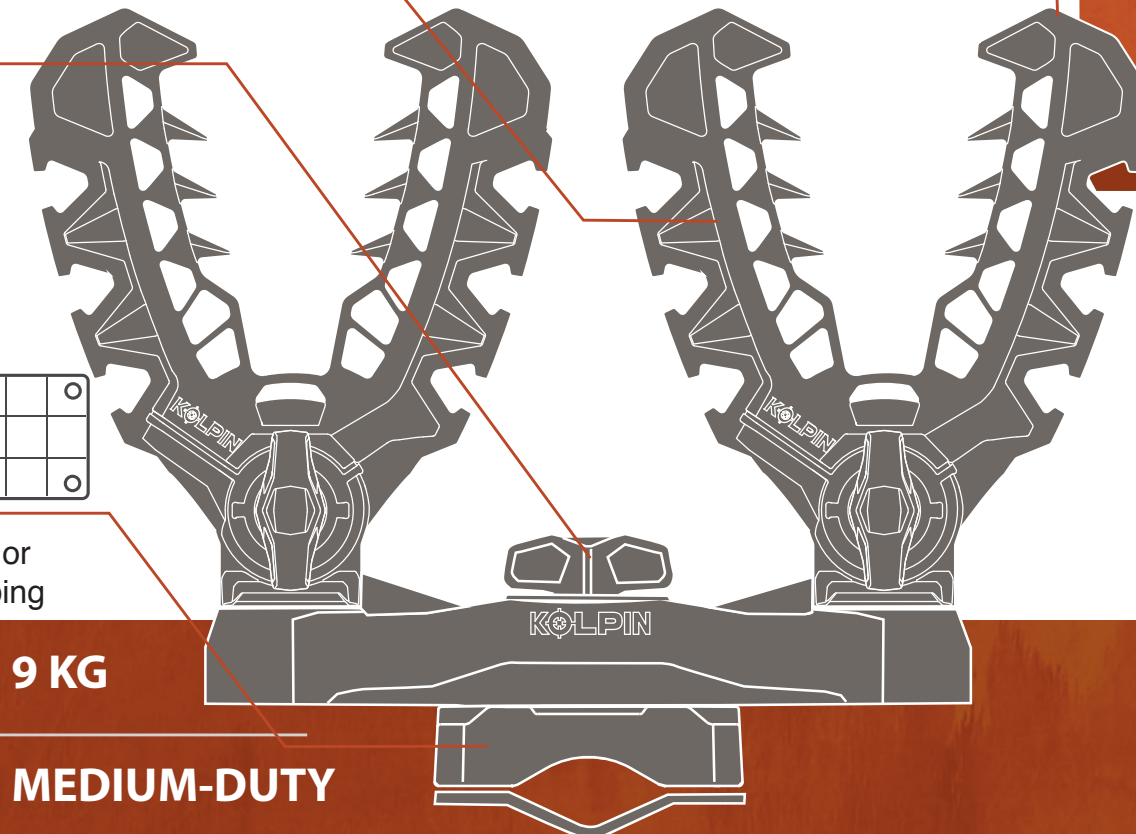
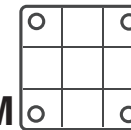
ROTATES 360°

Thumb-screw-actuated grip stabilizer allows base to rotate 360°



HEAVY-DUTY BASE SYSTEM

Mounts to flat surfaces or 1.9 - 5.08 cm round tubing



CAPACITY 9 KG

BEST USED FOR MEDIUM-DUTY

WORKS BEST ON



RHINO GRIP XLr DOUBLES

- Independent tool-free grip-arm adjustment for securing both large and small items such as:
 - Rifles / Shotguns / ARs / Soft Gun Cases / Bows
 - Garden & Farm Tools / Fishing Rods / Ice Augers
 - Hub Blinds / Shelters
- (4) Heavy-Duty retaining straps, hardware & mounting plates included
- Dual-loop straps for securing large and small items with different grip arm positions
- Polaris Lock & Ride versions include appropriate anchor



- STANDARD (PAIR) - 21551
- POLARIS SPORTSMAN/RZR (PAIR) - 21553
- POLARIS RANGER/GENERAL (PAIR) - 21555
- HEAVY-DUTY REPLACEMENT STRAPS (PAIR) - 21591





FLEXIBLE GRIPS

Rubber over-molded heavy-duty nylon

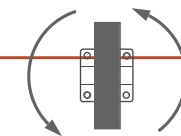
TILTING DESIGN

Tilts 160° in 40° increments



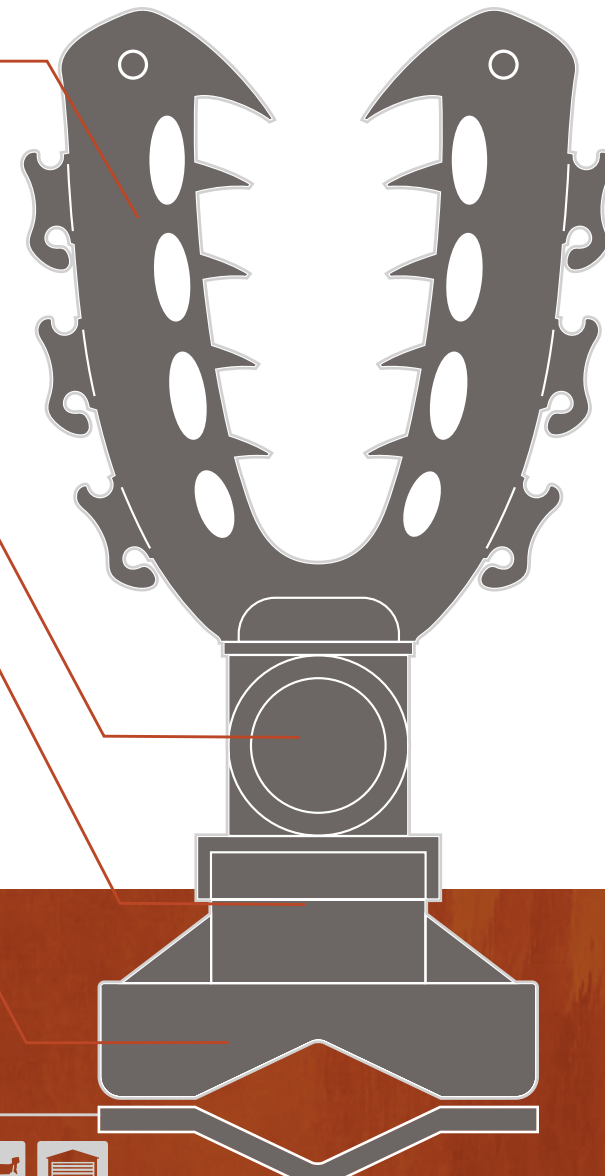
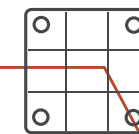
ROTATES

Base rotates 360°



HEAVY-DUTY BASE SYSTEM

Mounts to tubular or square bars from 1.59-4.44cm in diameter or to flat, drillable surfaces



CAPACITY	6.8 KG
BEST USED FOR	MEDIUM-DUTY
WORKS BEST ON	

RHINO GRIP XL

- Tool-free Kwik-clip design allows 360° rotation & easy removal of grips from base if needed
- Universal version has 4-corner bolting system
- (2) rubber straps, hardware and mounting plates included



- STANDARD (PAIR) - 21510
- HANDLEBAR MOUNT (PAIR) - 21530
- UTV ROLL BAR MOUNT (PAIR) - 21535
- REPLACEMENT STRAPS (PAIR) - 87010

RHINO GRIP XL

THE MOST POPULAR GRIP WE'VE EVER PURPOSE-BUILT

XL Grips have been everywhere.

They've carried medium-weight tools, guns, bows, shovels, rods, axes and countless other items to every corner of land and sea.

Where will they securely transport your gear?



RHINO GRIP XL DOUBLES

OUR MOST POPULAR GRIPS TIMES TWO

XL Doubles give you the time-tested strength of our most popular XL grips, with twice the gear capacity. 9kg of combined gear weight can be spread out, while only using 1 mounting plate.

The possibilities of medium-weight gear transport combinations are endless.

FLEXIBLE GRIPS

Rubber over-molded heavy-duty nylon

TILTING DESIGN

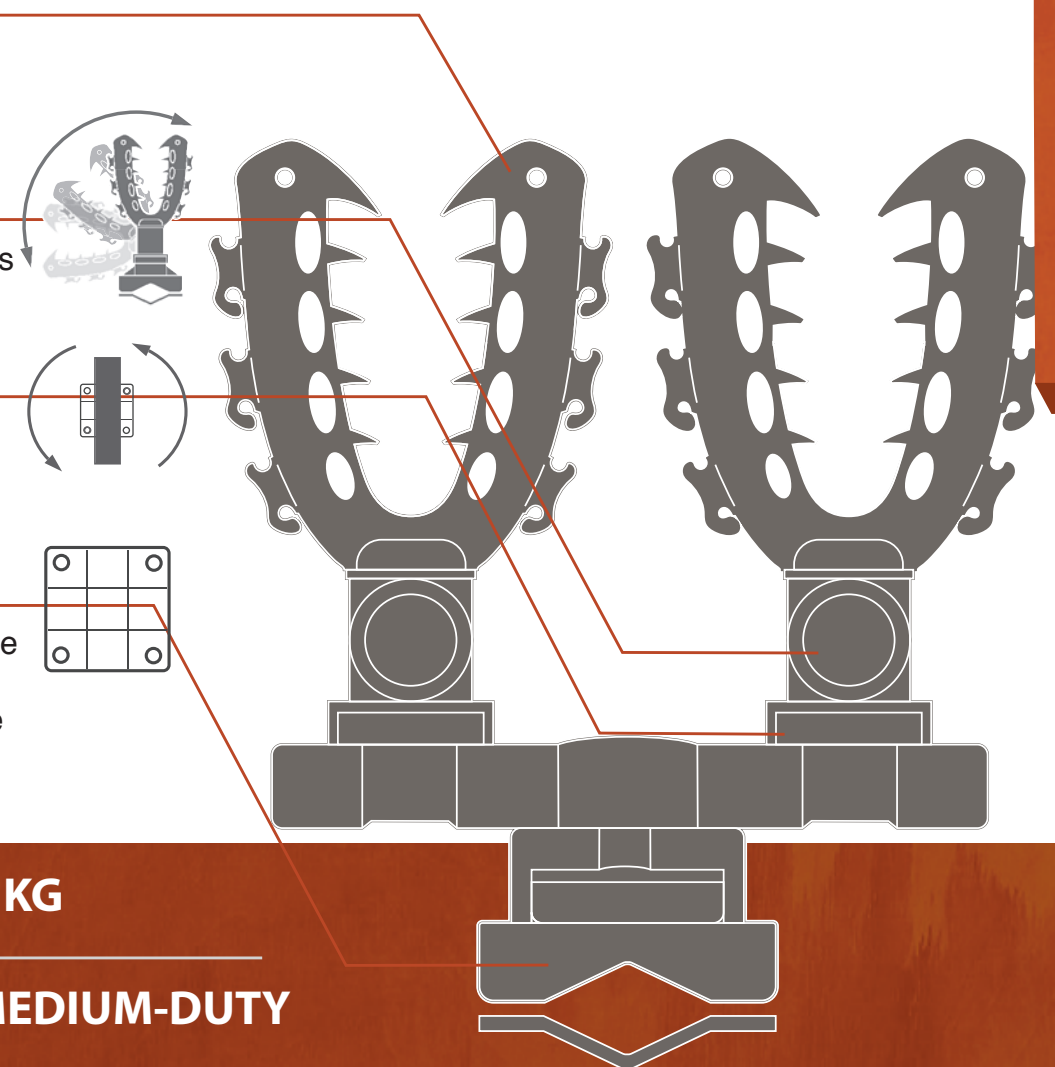
Tilts 160° in 40° increments

ROTATES

Base rotates 360°

HEAVY-DUTY BASE SYSTEM

Mounts to tubular or square bars from 1.58-5.08 cm in diameter or to flat, drillable surfaces



CAPACITY 9 KG

BEST USED FOR MEDIUM-DUTY

WORKS BEST ON

RHINO GRIP XL DOUBLES

- Allows for secure transport of 2 items
- Tool-free Kwik-clip design allows 360° rotation & easy removal of grips from base if needed
- Universal version has 4-corner bolting system
- (4) rubber straps included
- Universal includes hardware and mounting plates



STANDARD (PAIR) - 21515
REPLACEMENT STRAPS (PAIR) - 87010



RHINO GRIP STANDARD

- Rubber over-molded flexible nylon construction
- Offset configuration to maximize rack space
- Mounts to tubular or square bars from 1.58-3.17cm in diameter or to flat, drillable surfaces
- Single and Double versions have 4-corner bolting system
- Single version has 4.5kg weight capacity and includes 2 rubber straps
- Double version has 6.8kg weight capacity and includes 4 rubber straps
- Window Suction cup version has 2.2-4.5kg weight capacity and includes 2 rubber straps
- All Rhino Grip are sold in pairs



21500 ✦

- SINGLE (PAIR) - 21500
- DOUBLE (PAIR) - 21505
- WINDOW SUCTION CUP (PAIR) - 21520
- REPLACEMENT STRAPS (PAIR) - 87010
- REPLACEMENT SUCTION CUPS - 71506



21505 ✦



21520 ✦

RHINO GRIP STANDARD

STRAP DOWN AND SECURE YOUR LIGHT-WEIGHT GEAR

Easily secure your light-weight gear to any vehicle, wall or flat surface.



RHINO GRIP FLEX

HOLD JUST ABOUT ANYTHING... ANYWHERE

Our smallest member of the Rhino Grip family. These Flex Grips will hold an assortment of items of all different sizes on your ATV, UTV, Trailer, on the Shop or Garage wall, etc.

Use your own selected hardware to mount these wherever you need, in the way that you want.

RHINO GRIP FLEX 1.5

- NEW and IMPROVED durability and stretch
- Adjustable rubber strap fits items up to 3.81cm in diameter
- Protective non-slip over-molded rubber grip
- Built to carry gear such as: Garden Tools, Axes, Sledge Hammers, Rifles/Shotguns, Cords/Hoses, Fishing Poles
- Durable, reinforced mounting base
- Mounts to flat surfaces or round tubes using bolts or hose clamps
- Compatible with 6mm diameter hardware or 3.81 cm hose clamps (Not included)
- 6.8kg weight capacity
- All Rhino Grip Flex are sold in pairs

21570 (PAIR)

BUILT TO CARRY GEAR SUCH AS :



RHINO GRIP FLEX 3.0

- NEW and IMPROVED durability and stretch
- Adjustable rubber strap fits items up to 8.25cm in diameter
- Protective non-slip over-molded rubber grip
- Built to carry gear such as: Fire Extinguishers (up to 8.25cm Diameter), Bluetooth® Speakers, Water Jugs, Rifles/Shotguns, Garden Tools, Cords/Hoses
- Durable, reinforced mounting base
- Mounts to flat surfaces or round tubes using bolts or hose clamps
- Compatible with 6mm diameter hardware or 6mm hose clamps (Not included)
- 6.8kg weight capacity
- All Rhino Grip Flex are sold in pairs

21571 (PAIR)

BUILT TO CARRY GEAR SUCH AS :



KOLPIN STRONGHOLD | GUN BOOTS

Firearms transport for the new generation of adventurers.

Kolpin Stronghold Gun Boots = Quick, easy and secure attachment of your firearm to your vehicle. Selects your mount, select your Boot, Slide and Click the Boot into the Auto-Latch mount. Adventure Confidently.



KOLPIN STRONGHOLD GUN BOOTS











FIREARM
TRANSPORT
SYSTEM



MOUNT YOUR FIREARM AND GO

The KOLPIN STRONGHOLD system is the result of an evolution over our 80-year history. The leather gun scabbard of the 1940s evolved into our famous hard-sided Gun Boot in the 1970s, and now has evolved into our KOLPIN STRONGHOLD system.

The newest and most versatile way to securely transport your rifles and shotguns...

MOUNT	WORKS BEST ON	AUTO-LATCH MOUNT	STEEL BRACKET	FITMENT	POLARIS FITMENT
AUTO-LATCH MOUNT					
 30816		✓		<ul style="list-style-type: none"> 53450 UTV Overbed Storage Rack 53460 Hitch Cargo Carrier Flat Surfaces DIY Brackets 	
UNIVERSAL BRACKET & AUTO-LATCH MOUNT					
 20710		✓	✓	<ul style="list-style-type: none"> ATV Tube Racks UTV Bed rails Flat Drillable Surfaces 	Lock & Ride compatible with either (2) ATV 98500 anchors or (2) UTV 98510 anchors (sold separately)
UTV BRACKET & AUTO-LATCH MOUNT					
 30810		✓	✓	<ul style="list-style-type: none"> Most UTV Bed rails Roll Cages Flat Drillable Surfaces 	UTV Lock & Ride version available (30815)
POLARIS RANGER/GENERAL BRACKET & AUTO-LATCH MOUNT					
 30815		✓	✓	<ul style="list-style-type: none"> Polaris Ranger & General Lock & Ride bed rails with (2) included anchors 	Polaris Ranger & General Lock & Ride bed rails with (2) included anchors <small>COMPATIBLE WITH POLARIS LOCK & RIDE</small>
DOUBLE UTV BED RAIL BRACKET & (2) AUTO-LATCH MOUNTS					
 20000		✓ (2)	✓ (2)	<ul style="list-style-type: none"> UTV Bed rails from 104.1 - 139.7cm wide 	Ranger & General Lock & Ride compatible; requires 53504 Kit (sold separately)

GUN BOOTS

KOLPIN STRONGHOLD GUN BOOT XL

- Includes zippered, padded protected liner
- Zippered/Magnetic Closure
- Largest and most protective padded interior
- Lockable



Inside Protective Padded Liner Stitching

KOLPIN STRONGHOLD GUN BOOT L

- Compact lower profile case
- Padded interior liner





ENTRY

- Single-handed attached lid opening for quick access
- Integrated Rubber Closure Strap

LOCKABLE

- To Kolpin Stronghold Auto-Latch mounts
- Lockable access door
- TSA Approved case

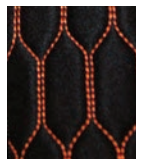
MOUNTS

Compatible with Kolpin Stronghold Auto-Latch mounts




LINER

- Premium zippered protective liner



Inside Protective Padded Liner Stitching

CAPACITY	132cm L x 9.5cm W x 26.6cm H
BEST USED FOR	SCOPED RIFLES, SHOTGUNS & MSRs

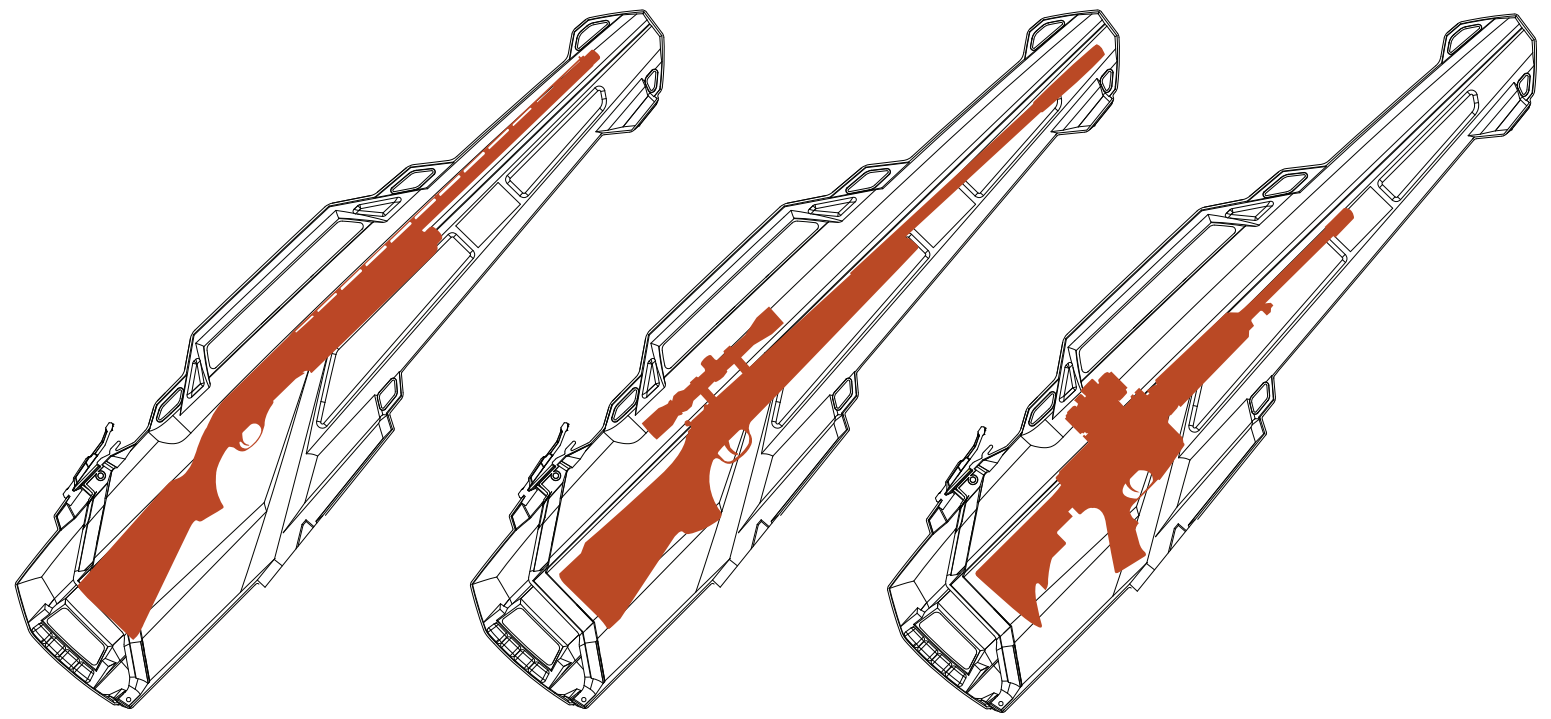


**GUN
BOOT
XL**

KOLPIN STRONGHOLD GUN BOOT XL

- Our largest and most protective interior of all Kolpin Gun Boot cases
- Includes zippered, padded protected liner
- Zippered/Magnetic Closure
- Lockable

20705





GUN BOOT

L

KOLPIN STRONGHOLD GUN BOOT L

- Compact, low profile case design
- Includes padded protective foam liner
- Secure rifles and shotguns up to 132cm in length
- Single-handed entry utilizing attached lid & integrated rubber closure strap
- Also compatible with Boottector & Loop Brackets (see pg. 38)

GUN BOOT L - 20740

GUN BOOT L & MOUNT COMBO - 20743

- Includes mount 20710

ENTRY

- Single-handed attached lid opening for quick access
- Integrated Rubber Closure Strap

ERGONOMIC

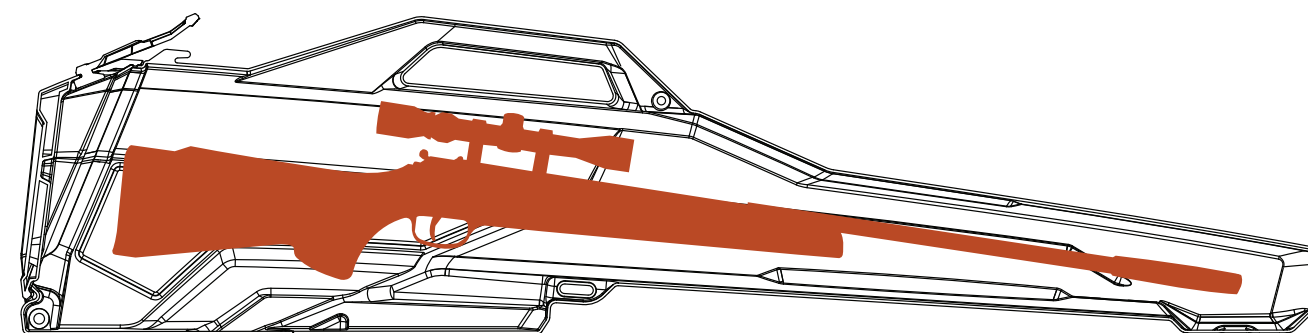
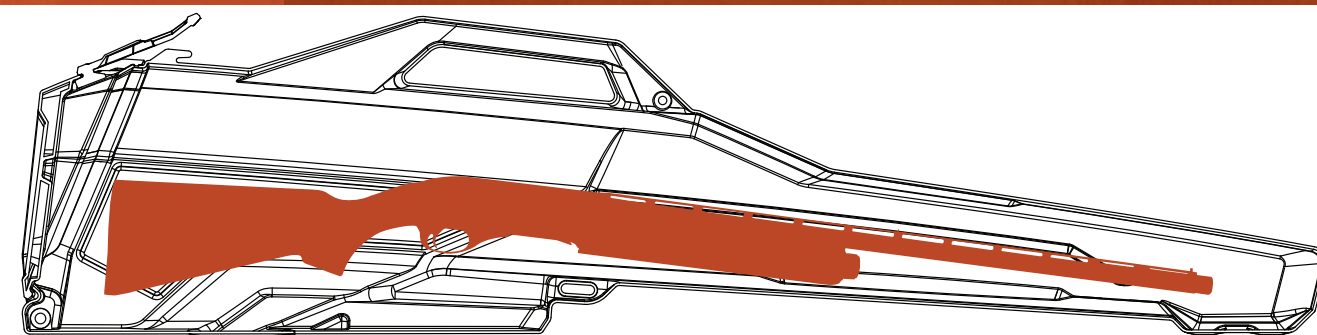
- Integrated carrying handle
- Integrated feet

MOUNTS

- Compatible with Kolpin Stronghold Auto-Latch mounts
- Compatible with Boottector & Loop Brackets



CAPACITY	132cm L x 12cm W x 23.4cm H
BEST USED FOR	SCOPED RIFLES & SHOTGUNS



KOLPIN STRONGHOLD UTV BRACKET & AUTO-LATCH MOUNT

- Auto-latching design provides quick secure attachment for all Kolpin Stronghold products to your UTV
- Engineered steel bracket for precision angling & attachment to vehicles
- Compatible with Polaris composite UTV bed-rails with (2) Polaris Lock & Ride Compatible anchors (98510) sold separately



STANDARD - 30810
RANGER/GENERAL - 30815



KOLPIN STRONGHOLD UNIVERSAL AUTO-LATCH MOUNT & BRACKET

- Auto-latching design provides quick secure attachment for all Kolpin Stronghold products
- Engineered steel bracket for precision angling and attachment to vehicles
- Spring loaded latch with stainless steel spring
- Durable glass-reinforced nylon auto-latch construction
- Universally fits most ATV tubular racks and UTV beds or to any flat surface
- Includes u-bolts and universal mounting hardware. Included Mounting Hardware: (8) Nylon Lock Nuts, M6-1.0, (8) Flat Washer, M6, (4) U-Bolt, M6-1.0 x 25mm ID x 45mm, (4) Flange Hex Bolt, M6-1.0 x 35mm LG, (1) Mounting Bracket
- Compatible with Polaris composite ATV racks and UTV bed-rails with (2) Polaris Lock & Ride Compatible Anchors (98500/98510) sold separately



20710

KOLPIN STRONGHOLD AUTO-LATCH BRACKET

- Auto-latching design provides quick secure attachment for all Kolpin Stronghold products
- Spring loaded latch with stainless steel spring
- Durable glass-reinforced nylon auto-latch construction
- Includes M6 & M10 hardware for side and bottom mounting



30816

KOLPIN STRONGHOLD UTV DOUBLE BED RAIL MOUNT

- Provides quick & secure attachment for (2) Kolpin Stronghold Boots
- Telescoping steel bar mount installs in/on UTV beds from width 111.76cm to 140.97cm
- Includes (2) adjustable Kolpin Stronghold Auto-Latch mounts
- Precision horizontal & pivoting adjustment to optimize boot installation
- Mountable to Polaris Ranger/General with additional mounting kit 53503 or (4) 98510 anchors
-
-
-
-



UTV - 20000



CLASSIC GUN BOOTS

THE GUN. THE BOOT. THE LEGEND.

Evolved from the Kolpin 007, originally built in the early 1970s, the Classic Gun Boot family has established a following as extensive and storied as the thousands of adventures they've been carried on to every corner of the globe.

We additionally have a full assortment of brackets to mount the Boots to your type of vehicle.

GUN BOOT 6.0 - IMPACT

- Fits firearms up to 129.5cm in total length
- Extra room for pistol grips & small bi-pods
- Hatchback easy access and locking capability
- Ergonomically designed handle & molded attachment points for a sling
- Compatible with mounts 20005, 20006 & 20029 (sold separately)
- Includes a removable padded protective liner that provides superior interior protection
- Dimensions: 132cm L x 11.4cm W x 22.8cm H



20025

GUN BOOT IV

- The most popular gun case for almost 50 years
- Provides ample room for 50mm scopes, rifles with slings or shotguns up to 129.5cm in length
- Includes a removable padded protective liner that provides superior interior protection
- Ergonomically designed handle & molded attachment points for a sling
- Designed to accommodate left & right hand bolt action rifles & shotguns
- Compatible with mounts 20035, 20350, 20351, 20032, 20033, 20200 & 20029 (sold separately)



20051

GUN BOOT 4.3 WITH BRACKET

- Provides ample room for 50mm scopes, rifles with slings or shotguns up to 129.5cm in length
- Includes both a Gun Boot with protective liner and mounting bracket
- Designed to accommodate left and right hand bolt action rifles and shotguns
- Ergonomically designed handle and molded attachment points for a sling
- Mounting hardware included for most installations



20053

BOOTTECTOR BRACKET

- Interfaces with: Gun Boot L and Saw Boot
- Includes Mounting Hardware
- 20035 includes U-bolt mounting hardware for ATVs with tubular racks



COMPATIBLE WITH
POLARIS
LOCK & RIDE

20035
POLARIS SPORTSMAN - 20350
POLARIS RANGER - 20351

GUN BOOT LOOP BRACKET

- Interfaces with: Gun Boot L and Saw Boot
- Includes Mounting Hardware
- 20032 includes U-bolt mounting hardware for ATVs with tubular racks



COMPATIBLE WITH
POLARIS
LOCK & RIDE

20032
POLARIS SPORTSMAN - 20033

GUN BOOT / SAW BOOT BRACKET

- Interfaces with: Gun Boot L and Saw Boot
- Fits ATV tubular racks or UTV frames up to 5cm
- Includes Mounting Hardware



20200

IN-BED DOUBLE GUN BOOT 6.0 MOUNT

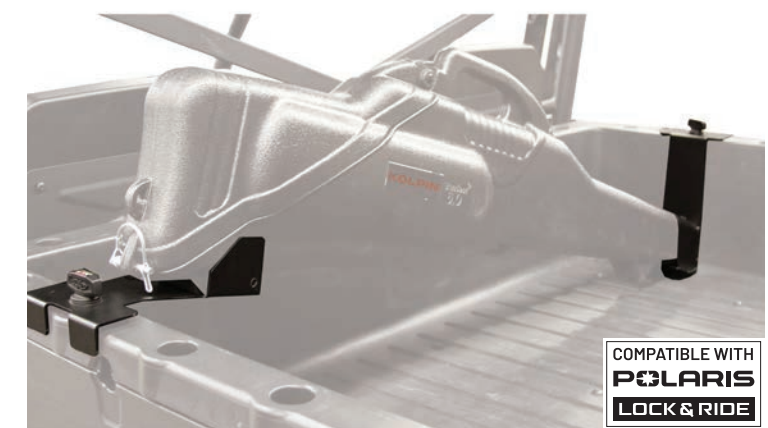
- Mounts (2) Gun Boot 6.0 cases in UTV bed
- Bed width dimensions must be between 120.65 - 139.7cm
- Includes Mounting Hardware



20005

POLARIS FULL-SIZE RANGER IN-BED SINGLE GUN BOOT MOUNT

- Mounts (1) Gun Boot 6.0 case in bed
- Compatible with 2005-Current Polaris Full Sized Rangers with (2) included 98510 anchors



COMPATIBLE WITH
POLARIS
LOCK & RIDE

20006

GUN BOOT ONE-PIECE BRACKET

- Mounts to tubular ATV racks to transport Gun Boot 4 and 6.0 cases
- Perfect fit for intermediate & smaller ATVs
- Includes Mounting Hardware



20029



UTV VERTICAL IN-CAB GUN RACK

- Vertical In-cab gun rack mounts to UTV floor
- Standard mount fits flat UTV floors, other specific adapter plates may be required
- Fully adjustable angling up to 45°
- Adjustable height from 69.85 - 90.17cm
- Base Dimensions: 13.33cm W x 15.24cm L front to back

UTV GUN RACK - 20073 REPLACEMENT STRAPS (PAIR) - 70732

- 20.95cm long

ADAPTER MOUNTS

CENTER TRANSMISSION HUMP RISER MOUNT - 20074

RANGER MID-SIZE MOUNT - 20077

- Fits the following models:
2010-2014 Ranger 400
2010-2017 Ranger EV
2011-2017 Ranger 500 / Crew
2014-2017 Ranger 570 / Crew



UTV DOUBLE GUN SOFT CASE

- Fits (2) scoped-rifles or shotguns up to 132cm in length
- Water/dust-resistant ballistic fabrics & zippers
- Thick padded construction
- (2) large exterior gear storage pockets
- (6) quick-release buckle mounting straps for universal fitment to UTV roll cages
- Exterior Dimensions: 132cm x 26.67cm x 15.24cm



UTV GUN CARRIERS

EASY ACCESS. NEVER TOO FAR AWAY.

Whether vertically mounted between driver and passenger, overhead or to the roll cage, we have a solution to securely transport 2 rifles or shotguns on your UTV.

- BLACK - 20830
- PURSUIT CAMO - 20831





UTV OVERHEAD IN-CAB GUN RACK

- Adjustable length 52.07-72.39cm to fit many UTV models (inside of UTV frame)
- Designed to hold 2 Firearms
- Rubber coated ends protect the frame
- Foam padding protects your firearms and provides secure fit
- No tools required for assembly, easy on / easy off



20078 (PAIR)

UTV OVERHEAD IN-CAB GUN & BOW RACK

- In-cab overhead rack secures and protects (2) guns or (1) bow
- Adjustable firearm grips can be positioned to optimize firearm location and orientation
- Rubber strap provides quick, adjustable and silent access to firearms or bow
- Scratch-resistant, foam-lined grips with rubber straps provide secure protection for exposed firearms encased in soft-sided cases or compound bows.
- Ultra-strong steel telescoping tubes adjust from 44.45 - 85.09cm
- Installs in minutes without vehicle modification
- Fits UTVs with 3.8 - 5cm round cages as well as profile tube



20079 (PAIR)



UTV/TRAILER CHAINSAW MOUNT

- Heavy-duty, black powder-coated metal bracket is designed to transport your chainsaw safely and securely
- Rubber pads provide cushion & tight fit
- Hinged design for quick removal
- Able to hold chainsaw or round handled tools in vertical direction or at a 45° angle
- Accommodates any brand chainsaw with up to a 55.8cm bar
- Fits UTV beds & roll bars and trailers
- Roll bar and bed mounting hardware included



UNIVERSAL - 20048

POLARIS RANGER/GENERAL CHAINSAW MOUNT

- Heavy-duty, black powder-coated metal bracket is designed to transport your chainsaw safely and securely
- Rubber pads provide cushion & tight fit
- Hinged design for quick removal
- Able to hold chainsaw or round handled tools in vertical direction or at a 45° angle
- Accommodates any brand chainsaw with up to a 55.8cm bar
- Fits Polaris Ranger/General UTV beds with included Polaris Lock & Ride compatible anchors



COMPATIBLE WITH
POLARIS
LOCK & RIDE



POLARIS RANGER/GENERAL 20049

SAW TRANSPORT

TRANSPORT YOUR CHAINSAW SECURELY AND SAFELY ON ANY ATV, UTV OR TRAILER

Whether in a Saw Press or Saw Boot, traverse rough terrain with your chainsaw attached to your vehicle.



ATV CHAINSAW MOUNT

- Heavy-duty, black powder-coated metal bracket is designed to transport your chainsaw safely and securely
- Rubber pads provide cushion & tight fit
- Hinged design for quick removal
- Holds saw in vertical position or 45° in either direction
- Accommodates any brand chainsaw
- Fits round handled tools
- Fits most ATVs with tubular rack and trailers
- NEW and IMPROVED fitment to fit Polaris Sportsman



20044

CHAINSAW BOOT

- Secure & protect your chainsaw when traversing over rough terrain
- Fits up to a 50.8cm bar
- Fits in standard Kolpin Gun Boot brackets - Simply remove your Gun Boot case & install your Saw Boot
- Chainsaw can be quickly secured/removed with included bungee tie-down
- Included heat shielding allows for carrying a hot saw
- Fits most ATVs with tubular racks, UTV beds and trailers.



20600

Chainsaw not included



STORAGE

KEEP YOUR GEAR ORGANIZED AND SECURE

However light or heavy, big or small, when you hit the trails, we have a bag, box or rack to store and transport your gear.

5CM RECEIVER HITCH CARGO CARRIER

- Heavy-duty receiver rack for gear storage
- 20.32cm lift for off-road clearance
- Fully welded steel basket: 117.8cm x 50.8cm x 10.6cm
- Integrated laser-cut hole patterns compatible with Kolpin Rhino Grips (XL, XLR, Pro, Flex) and Stronghold 30816 Gun Boot mount
- 68 kg off-road weight capacity
- Quick 5-minute assembly with pre-drilled holes
- 85625 5cm Hitch Stabilizer included for added stability

53460



UTV BED RAIL STORAGE BOX

- Provides 7 Gallon / 26 Liter of storage space
- Outside Dimensions: 55.8cm L x 31.1cm W x 31.7cm H
- Internal Dimensions: 48.2cm L x 20.3cm W x 25.4cm H
- Includes (2) UTV 98510 anchors for compatibility with Polaris UTV bed rails using Lock & Ride
- Easy installation

4413



COMPATIBLE WITH
POLARIS
LOCK & RIDE

UTV BENCH CENTER CONSOLE

- Easily access necessary gear
- Features a weather resistant storage compartment with lid & two cup holders
- Heavy-duty, black roto-molded, and uv-stabilized LLDPE (linear low-density polyethylene) construction
- Overall Dimensions: 53.3cm L x 25.4cm W x 20.3cm H

4470



ATV MATRIX SEAT BAG

- Durable 600D nylon construction with Hydro Shield and UV coating
- 3-piece bag design including center cooler
- 15 Gallon / 57 Liter of accessible storage
- Reinforced buckles to allow for easy on/off of most ATV racks
- Overall Dimensions: 81.2cm L x 55.8cm W x 27.9cm H
- Side Pod Dimensions: 40.6cm L x 15.2cm W x 20.3cm H



BLACK - 91155
PURSUIT CAMO - 91150

ATV GEAR & COOLER SEAT BAG

- Heavy-duty water-resistant Hydro shield & UV coated ballistic fabric, w/ padded construction
- 20 litre cooler with (2) 18 litre side compartments
- Padded seat converts to storage basket
- (2) front mesh pockets & storage cords
- (7) buckled straps for fitment to most ATV racks
- Overall Dimensions: 86.3cm L x 45.7cm W x 27.9cm H



BLACK - 91156
PURSUIT CAMO - 91157

GUARDIAN ATV/UTV STORAGE BOX - 40 L

- 10-1/2 Gallon / 40 Liter zipper-less design with water-resistant ballistic fabrics with UV coating
- Integrated dust & water seal
- 3-pocket lid organizer
- (6) metal D-ring tie-downs on perimeter
- (6) quick-release buckle mounting straps for universal fitment to most ATVs and UTVs
- Overall Dimensions: 69.8cm L x 27.9cm W x 21.5cm H



91163

GUARDIAN ATV/UTV STORAGE BOX - 80 L

- 21 Gallon / 80 Liter zipper-less design with water-resistant ballistic fabrics with UV coating
- Integrated dust & water seal
- Zippered exterior pocket
- 3-pocket lid organizer
- (6) metal D-ring tie-downs on perimeter
- (6) quick-release buckle mounting straps for universal fitment to most ATVs and UTVs
- Overall Dimensions: 83.8cm L x 35.5cm W x 30.4cm H



91162

ATV TRUNK & LOUNGER

- Massive 117 litre storage capacity
- Seamless hinge and gutter lid design closes with heavy-duty rubber latches to keep interior dry and dust free
- Easy to attach / remove from vehicle via U-bolt kit (included) or tie downs (not included)
- Recessed utility tray with integrated tie downs
- Durable roto-molded construction with integrated pad lock holes
- Removable no-slip seat pads
- Overall Dimensions: 103.5cm L x 71.1cm W x 43.1cm H



4457

POLARIS SPORTSMAN MOUNTING KIT - 93160



Rhino Grip Flex (sold separately)

ATV REAR HELMET BOX

- Mounts to most tubular racks using (4) U-bolts and sealing washers (included)
- 93165 and 93160 Mounting Kits do not work for this box
- Opens in the rear with access to arm cavities
- 26 Gallon / 99 Liter of weather-resistant storage
- Overall Dimensions: 36-3/4" L x 28" W x 17" H
- Lockable version available



4438
4438S - Lockable



ATV FRONT RACK STORAGE BOX

- Contoured design for maximum visibility
- Double-walled lid construction
- Heavy-duty keyed lockable center latch
- Overall Dimensions:
76.8cm L x 34.2cm W x 22.8 H

93101



COMPATIBLE WITH
POLARIS
LOCK & RIDE

POLARIS MOUNTING KIT - 93103

- Required for 2005-current Polaris ATVs with Lock & Ride
- Mount kit includes (2) mounting brackets & (4) 98500 Lock & Ride anchors

ATV REAR RACK STORAGE BOX

- Lockable box
- Double-walled lid construction
- Overall Dimensions:
93.8cm L x 44.4cm W x 34.9cm H

93201



COMPATIBLE WITH
POLARIS
LOCK & RIDE

POLARIS MOUNTING KIT - 93203

- Required for 2005-current Polaris ATVs with Lock & Ride
- Mount kit includes (2) brackets & (2) 98500 ATV Anchors, (1) Kwik-Cinch Strap

ACCESSORY RACK - 93202

ATV REAR RACK OUTFITTER BOX

- Double-walled lid construction
- Rubber sealing gasket to keep out dust/water
- Kwik-Cinch straps for quick on/off attachment
- Metal Accessory Rack for extra capacity
- Fits most ATV tubular & composite racks
- Overall Dimensions:
107.9cm L x 54.6cm W x 42.5cm H
- Front to back base footprint - 33cm in the center between the rear of the seat to the rear of the rack, 48.2cm on the outside edges

93450



COMPATIBLE WITH
POLARIS
LOCK & RIDE



ATV RACKS

FOR THOSE INTO HEAVY METAL...

ATVs are one of the most versatile vehicles out there, used everywhere from the farm to the job-site to the oil fields. When you need to add a little space to your machine, or add the durable strength of metal to your storage area, we have a line-up of solutions to transport and protect your gear.

ATV CONVERTIBLE REAR DROP BASKET RACK

- Basket can be used with rear rack extension in dropped or raised position or separately for contained storage on your ATVs front rack
- Constructed of 3.8cm diameter tubing
- 3.1cm space before drop allows fitment to machines with vertical rear rack loops
- Basket dimensions: 96.5cm L x 33cm W x 19cm H
- Dimensions: 102.8cm L x 69.2cm W x 25.4cm H, 12.7kg.

53350



ATV FLAT RACK

- 3.8cm steel tubing for perimeter support
- Expanded metal mesh to contain small items
- Mounts to front or rear tubular rack of ATV
- Flat design increases rack space
- 3.1cm space at 40.6cm allows fitment to machines with vertical rack loops
- Dimensions: 101.6cm L x 83.8cm W x 15.2cm H, 9kg.

53400



ATV RACK GEAR BASKET

- Add extra front or rear ATV storage
- Space to carry up to three 5-gallon (18.9 litres) buckets
- Universal fit to any front or rear tubular rack
- Dimensions are 96.5cm L x 33cm W x 19cm H, 7.2kg.

53360



ATV REAR DROP BASKET WITH TAILGATE

- Includes fold down tailgate & cable supports, basket weight capacity up to 200 lbs.
- Inside box dims: 95.2cm L x 30.4cm W x 20.3cm H
- 3.1cm space 40.6cm before drop allows fitment on machines with vertical rear rack loop
- Dimensions: 109.2cm L x 78.8cm W x 25.4cm H, 23.1kg.

53300



ACCESSORIES

MAKE YOUR RIDE MORE COMFORTABLE

No matter the temperature or the task, we have the durable accessories to outfit you and your ATV or UTV.

ATV HEATED GRIPS

- Keep your hands warm and comfortable with soft heated grips
- Multiple settings for optimal temperature control
- Easy to install with fully assembled, plug-n-play electrical connectors to any standard ATV or snowmobile with 2.2cm handlebar



50-0360

ATV/UTV TIRE REPAIR KIT

- Everything you need to repair and inflate multiple ATV/UTV tires
- Packed conveniently in our handy storage pouch
- Includes: (3) CO2 cartridges, Regulator/adapter tool, 10.1cm tire seals, tire roughing tool, installation tool



89510

ATV/UTV FLAT TIRE REPAIR PACK

- Repair Pack with pump includes all the tools to fix ATV/UTV flat tires
- Tools are conveniently secured inside the pump for storage
- Compact design for easy transport
- Easily straps to ATV/UTV racks or stores inside gear box
- Dimensions: 24.1cm L x 7.6cm diameter



89500

POLARIS SPORTSMAN/RZR LOCK & RIDE COMPATIBLE ANCHORS

- Expanding 2.5cm diameter rubber expansion anchor provides a solid attachment for accessories
- Quick on/off - change accessories by rotating the twist handle
- Compatible with Polaris Sportsman/RZR racks using the Polaris Lock & Ride System



98500

POLARIS RANGER/GENERAL LOCK & RIDE COMPATIBLE ANCHORS

- Expanding 1-1/4" diameter rubber expansion anchor provides a solid attachment for accessories
- Quick on/off - change accessories by rotating the twist handle
- Compatible with Polaris Ranger/General bed rails using the Polaris Lock & Ride System
- Does NOT fit on Polaris RZR machines



98510

POLARIS MOUNTING KIT

- Includes (4) 98510 Lock & ride compatible Anchors for mounting 53470 UTV Aluminum Bed Box, 53450 UTV Overbed Storage Rack or 20000 Stronghold Double Gun Boot Mount
- The (4) Lock & Ride Anchors have an expanding rubber piece to allow for quick-on/off attachment to UTV bed rails



53504

TRAILTEC RACK PAD

- Reduces shock & discomfort from ATV racks
- (7) Velcro straps for easy attachment to ATV racks or composite racks
- 3" open cell foam for riding comfort
- 1/2" closed cell foam on base for shock absorption
- Dimensions: 91.4cm L x 38.1cm W x 7.6cm H



91880

MAGNETIC RGB DOME LIGHT

- Depress lens to turn on/off and toggle between red, green, blue, and white
- Quick-Disconnect from base to use as magnetic utility light
- 11' leads for easy power connection
- Light charges when connected to base



98001

GEARTECTOR HANDLEBAR MITTS

- Extra large, reinforced opening for easy access to handlebars and controls
- Plush lining to keep your hands warm
- Locking draw-cord to securely seal to handlebars
- Fits virtually any ATV or snowmobile; locking drawstring cord securely fits mitts to handle bars



BLACK - 92185
PURSUIT CAMO - 92180

UTV CARGO SPIDER

- Customizable 6-legged cargo spider helps secure gear to off-road vehicles
- Adjustable 3' long straps with heavy-duty s-hooks allow for countless tie-down possibilities
- Premium quick-cinch cam buckles allow for tight and secure transport of your gear



95180

UTV COVER

- Heavy-duty water-resistant cover protects against weather, dust & debris
- Includes elastic seam and tie-down straps
- Note: Cover must be removed for trailering

MID-SIZE - 95111
 • Dimensions: 287cm L x 152.4cm W x 177.8cm H

FULL-SIZE - 95113
 • Dimensions: 304.8cm L x 160cm W x 177.8cm H

FULL-SIZE CREW - 95115
 • Dimensions: 406.4cm L x 160cm W x 177.8cm H



ATV COVER

- Light-duty storage cover with reinforced tie-down grommets
- Note: Cover must be removed for trailering

STANDARD - 95120
 • Dimensions: 215.9cm L x 88.9cm W x 81.2cm H

XXL - 95122
 • Dimensions: 241.3cm L x 81.2cm W x 81.2cm H



ATV GEL-TECH SEAT COVER

- Stretchable fit design to accommodate most ATVs
- Gel padding & ergonomic design provides maximum cushioning & temperature control for exceptional riding comfort
- Durable Velcro straps and easy to install, ensuring a secure fit and effortless seat cover removal
- Dimensions: 35.5cm front, 53.3cm back, 76.2cm length

91855



ATV SLIP-ON SEAT COVER

- Great fit for smaller and intermediate sized ATVs
- Constructed of 600 denier, uv-resistant fabric
- PVC-backed for waterproof and abrasion protection
- Easy to install with elastic edge & Velcro straps
- Dimensions: 33cm front, 39.3cm back, 66cm length

BLACK - 93645
PURSUIT CAMO - 93640



PADDED ATV SLIP-ON SEAT COVER

- Protect your OEM seat with a water-resistant full wrap style seat cover
 - Includes fitment for Polaris Sportsman 850/1000 Seats
 - Abrasion and water-resistant synthetic rubber for extended product life
 - (2) buckles to tightly cinch and secure to OEM seat
 - Up to 25.4cm front x 50.8cm back x 86.3cm long
- 93646**



PLOW SYSTEMS

CLEAR YOUR PATH

Whether clearing your sidewalk, your whole driveway or the entire parking lot, Kolpin Plows have the strength and reliability to get the job cleared. Put your ATV or UTV to work!

All Kolpin Plows can easily mount to most of today's most popular machines.



PLOW SYSTEMS



CUSTOMIZE YOUR PERFECT PLOW



CONQUEROR FRONT-CONNECT PLOW SYSTEM (UTV)

- Kolpin's newest & most advanced UTV Plow
- Heavy-duty welded steel construction push frame, with 9-position blade angling
- Tool-less Quick-connection to vehicle specific front bumper mounting brackets
- Capable of automated blade rotation with the addition of our Power Angle system, 33-0100



Poly Blade & Power Angle shown (not included)

HIGH RISE (ATV)

- Kolpin's heaviest-duty plow system has been designed to do what most ATV plows can't.
- The High Rise name is appropriate for this system as its dual-pivoting, articulated frame, allows for impressive blade lift height.
- Designed to be the most versatile ATV plow on the market.
- Capable of automated blade rotation with the addition of our Power Angle system, 33-0100



High Rise Shown with 60" Steel Blade

STORM CHASER (ATV)

- These push tubes have been pushing snow around for years, and deservedly acquired a very suiting nickname: Storm Chaser.
- They are workhorses designed with the same heavy-duty square-tube chassis as big brother, High Rise, but without the lift height or power angling capabilities.



ATV Storm Chaser Shown with 52" Steel Blade

SWITCHBLADE (ATV OR UTV)

- A complete universal-fit plow setup in the convenience of 1 box
- Blades can be set to 1 of 2 standard widths
- Both ATV and UTV versions are available
- Stamped reinforced 13-gauge Steel blade panels
- Includes adjustable height shoes



ATV Switchblade Shown set at 60" blade width



CONQUEROR FRONT-CONNECT PLOW

OUR BEST, JUST GOT BETTER

Our newest and most advanced UTV Plow combines a super-heavy-duty front-connect push frame, with a bumper mounted vehicle specific bracket.

This system provides quick, easy, and tool-less connecting/disconnecting to the front of your Side by Side.

35-0070

CONQUEROR FRONT-CONNECT PUSH FRAME

- Superior blade control with 9-position angling and up to 76.2cm lift height
- Quick and easy plow system assembly
- Capable of automated blade rotation with the optional Power Angle (33-0100)
- Built-in height adjustment to ensure proper plow geometry for vehicles with varying ground clearances



35-0070

PLOW BLADES

STEEL:

- Steel blades are 43.1cm in height
- Includes heavy-duty shoes & wear bar

48" - 31-0048 66" - 31-0066

52" - 31-0052 72" - 31-0072

60" - 31-0060

POLY:

- Poly blades are heavier than our steel blades, with 53.3cm tall curved profile for superior snow rolling
- Includes heavy-duty shoes & wear bar

60" - 31-2060 84" - 31-2084

72" - 31-2072



Blades are e-coated & powder painted for maximum durability in extreme temperatures, salt & moisture



FRONT-CONNECT TRACKED VEHICLE PLOW EXTENSION

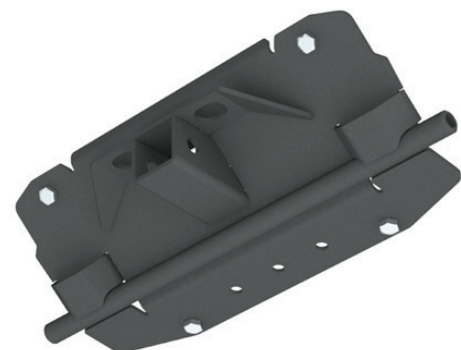
- Required when UTV Conqueror plow 35-0070 is installed on vehicle with Tracks
- Standard heavy-duty welded steel construction
- Easy installation in 30 minutes or less
- Tool-less quick-connect to vehicles



35-0350

CONQUEROR FRONT-CONNECT PLOW MOUNTS

- Vehicle specific mounting kits install to front bumper for quick & easy installation
- The assortment of vehicle mounts are ever-expanding. Please see kolpin.com for up-to-date fitment
- Note: No mounting kit is required for some Polaris models, please see fitment chart online



35-XXXX*

*find the exact part number fitting your vehicle on Kolpin.com



ATV PLOWS

ELEVATE YOUR PLOWING SKILLS

The High Rise name is appropriate for this system as its dual-pivoting, articulated frame, allows for impressive blade lift height. Plus, stacking snow and pulling On/Off of trailers is easy.

Our mid-mount under chassis design allows for maximum plowing strength and increased traction.

HIGH RISE PUSH TUBE

- Impressive lift height with Heavy-duty, Mid-mount, dual-pivot articulating frame & 50.8cm wide blade mount platform
- Capable of automated blade rotation with the addition of the Kolpin Power Angle System (33-0100)
- 5-position blade angle adjustment
- Quick pin attachment to 15-XXXX* mounts



33-0000

ATV STORM CHASER PUSH TUBE

- Heavy-duty square-tube steel chassis with strategic reinforcements
- 50.8cm wide blade mounting system
- Reinforced structural Pivot Box with 5-position angle adjustment
- Quick pin attachment to all 15-XXXX* ATV under-body mounts



33-0070

PLOW BLADES

STEEL:

- Steel blades are 43.1cm in height
- Includes heavy-duty shoes & wear bar

48" - 31-0048 66" - 31-0066
 52" - 31-0052 72" - 31-0072
 60" - 31-0060

POLY:

- Poly blades are heavier than our steel blades, with 53.3cm tall curved profile for superior snow rolling
- Includes heavy-duty shoes & wear bar

60" - 31-2060 84" - 31-2084
 72" - 31-2072



Blades are e-coated & powder painted for maximum durability in extreme temperatures, salt & moisture



PLOW MOUNT KITS

- Plow Mounts are required for installation of plows to every vehicle
- Designed to mount to the strongest part of your vehicles frame to provide maximum strength and traction

ATV - 15-XXXX*



POWER ANGLE

PLOW WITH PRECISION

Pivot your Snow Plow blade with the touch of a button, from the comfort of your seat. This heavy-duty worm gear driven Power Angle is compatible with any Kolpin Snow Plow Blade mounted to either our UTV Conqueror Front-Connect or High Rise Push Tubes

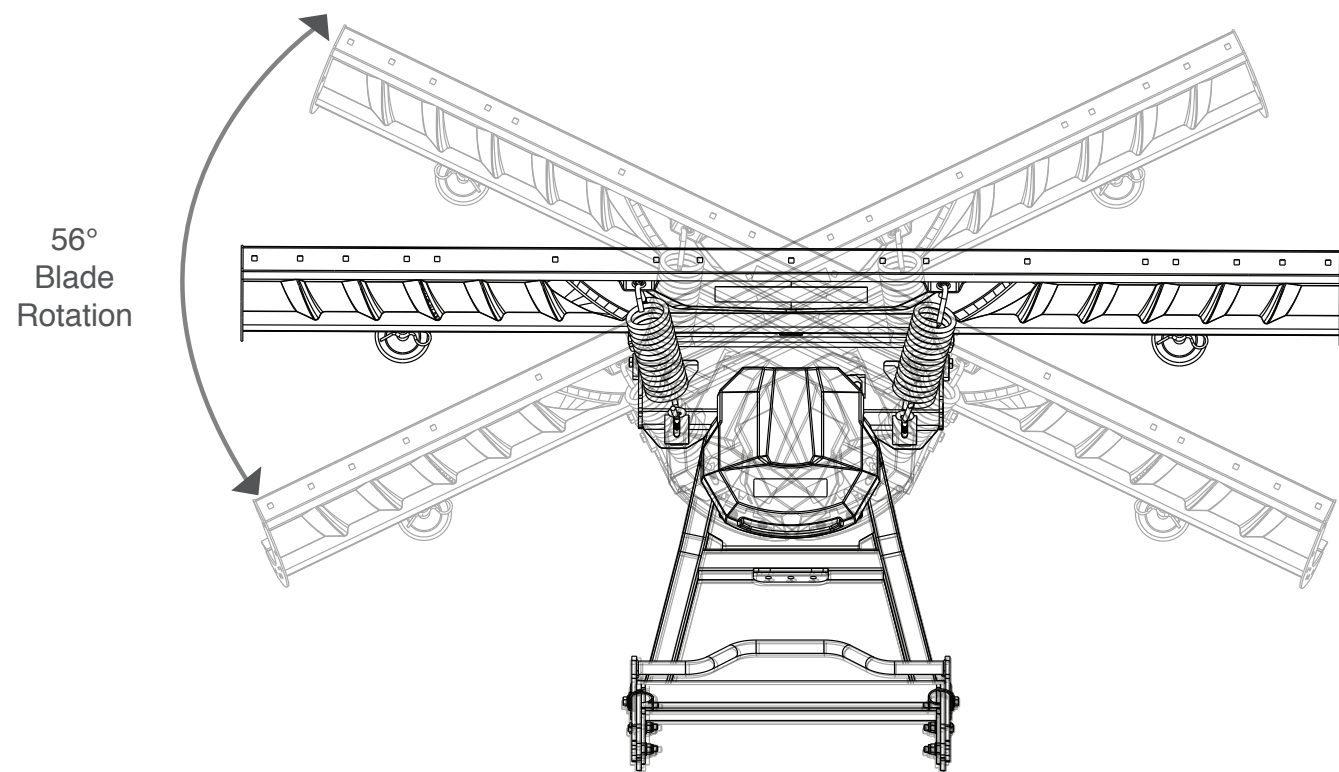
*find the exact part number fitting your vehicle on Kolpin.com

POWER ANGLE

- Pivots Kolpin Blades 56° by push of button from the comfort of your seat with dash/handlebar mounted controls
- 30-minute installation with 5 bolts
- Self-locking steel gear drive isolates impact to motor and optimizes durability
- Compatible with any Kolpin Blade mounted to UTV Conqueror Front-Connect or High Rise push tubes
- Accommodates 48" to 84" blades



33-0100



SWITCH BLADE

COMPLETE PLOW SYSTEM IN 1 BOX.

Universal ATV & UTV plow systems that contain everything to start plowing today in 1 box.

Blades can be set to 1 of 2 standard widths.

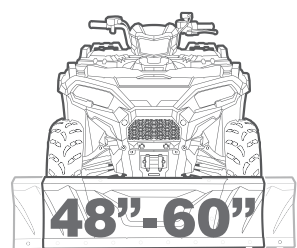
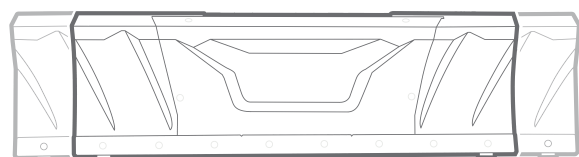
Winch or manual lift (15-0030) required for ATV (sold separately)
Winch required for UTV (sold separately)

ATV SWITCHBLADE

- 40.6cm high stamped steel blade technology adjusts to either 121.9cm or 152.4cm width
- Robust square-tube steel chassis with strategically placed reinforcements
- 5-position blade angle
- Easy-to-Assemble and install universal under-body mount
- Includes adjustable height shoes
- Requires winch or manual lift (sold separately)
- Assembles in under 1-hour
- Box (87.6cm L x 45cm W x 20.3cm H) fits in the back of your vehicle for easy transport, 51.7 kg
- Stamped reinforced 13-gauge Steel blade panels
- Visit kolpin.com/fitment-guides for the most up to date fitment chart



17-0000



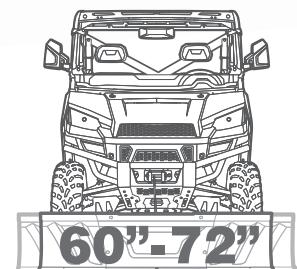
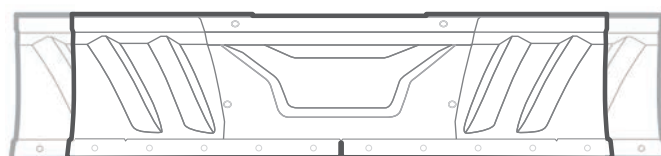
FULLY ADJUSTABLE
SET TO EITHER 48" OR 60" WIDTH

UTV SWITCHBLADE

- 40.6cm high stamped steel blade technology adjusts to either 60" or 72" width
- Robust square-tube steel chassis with strategically placed reinforcements
- 5-position blade angle
- Easy-to-Assemble and install universal under-body mount
- Includes adjustable height Shoes
- Requires winch (sold separately)
- Assembles in under 1-hour
- Box (87.6cm L x 45.7cm W x 20.3cm H) fits in the back of your vehicle for easy transport, 58.9kg
- Stamped reinforced 13-gauge Steel blade panels
- Visit kolpin.com/fitment-guides for the most up to date fitment chart



17-5000



FULLY ADJUSTABLE
SET TO EITHER 60" OR 72" WIDTH



SNOW PLOW ACCESSORIES

PLOW WITH EFFICIENCY AND COMFORT

Increase your efficiency, comfort and control with our full line up of plowing accessories.

ATV MANUAL QUICK LIFT

- Manually raise and lower plow blade with minimal effort from the driver's seat
- Attaches to front rack with the included EZ Mount system
- 4-position ratcheting handle

15-0030



ATV MANUAL LIFT - UNDER BODY MOUNT

- For use with Kolpin 33-0070
- Require little effort to lift blade
- Lift is removed with the push tube, so when you're trail riding the equipment is not in your way

15-0090



FRONT-CONNECT TRACKED VEHICLE PLOW EXTENSION

- Required when UTV Conqueror plow 35-0070 is installed on vehicle with Tracks
- Easy installation in 30 minutes or less
- Tool-less quick-connect to vehicles

35-0350



ATV TRACK EXTENSION KIT

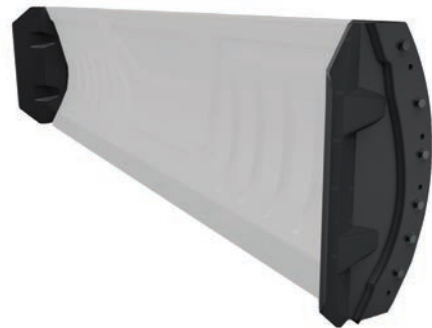
- 27.9cm plow extender required for Kolpin snow plow fitment to tracked ATV
- Compatible with Storm Chaser (33-0070), High Rise (33-0000) push tubes & Power Angle (33-0100)
- Quick & easy assembly in 15-minutes



33-0350

SNOW PLOW BLADE WINGS

- Provides superior snow control and cutting while plowing
- Precision fit for Kolpin steel blades (NOT compatible with Poly Blades)
- Adds 10.1cm inches of width to your plow blade



31-0010 (PAIR)

RUBBER PLOW BLADE FLAP

- 6mm Thick Rubber Blade Flap fits plow blades with (cut flap to proper size)
- Keeps snow from flying into your face
- Includes hardware, drilling is required to mount to blade



10-0190 (WIDTHS 48" - 72")

PLOW MARKER KIT

- Increases visibility of plow edges for added safety
- Easily bolts to sides of plow blades

KOLPIN BLADES (PAIR) - 10-0145

- Fits all Kolpin Steel & Poly blades; 90° bend base

STANDARD (PAIR) - 10-0140

- Drilling may be required
- Mounts with 5/16" x 1" bolts to top outside edges of blades at 45° bend



ATV HEATED GRIPS

- Keep your hands warm and comfortable with soft heated grips
- Multiple settings for optimal temperature control
- Easy to install with fully assembled, plug-n-play electrical connectors to any standard ATV or snowmobile with 2.2cm handlebar



50-0360

GEARTECTOR HANDLEBAR MITTS

- Extra large, reinforced opening for easy access to handlebars and controls
- Plush lining to keep your hands warm
- Locking draw cord to securely seal to handlebars



BLACK - 92185

PURSUIT CAMO - 92180

PLOW LIFT STRAP

- Durable strap designed to replace winch rope designed to minimize breakage due to repetitive plowing lifting cycles
- Wide nylon webbing design reduces binding & kinking associated with synthetic ropes & steel cables



85092

SNOW PLOW LIFT PULLEY KIT

- Enhances operation of front-mounted plow systems
- Compatible with Storm Chaser push tube frame 33-0070
- Doubles the lift capacity of any winch
- Provides better control of plow height



20-0050

SKID SHOE KITS

- Steel construction/corrosion resistant plating
- Includes (2) Skid Shoes and mounting pins

31-1255 - HEAVY-DUTY - 7MM

- Fits all Kolpin Steel blades

31-2155 - HEAVY-DUTY - 7MM

- Fits all Kolpin Poly blades



PLOW BLADE WEAR BARS

- Easy-to-install factory replacement, double-sided wear bars
- Hardware included

STEEL BLADE HEAVY-DUTY:

3-GAUGE, 7.6CM HEIGHT, 6MM THICK

48" - 31-1248

52" - 31-1252

60" - 31-1260

66" - 31-1266

72" - 31-1272

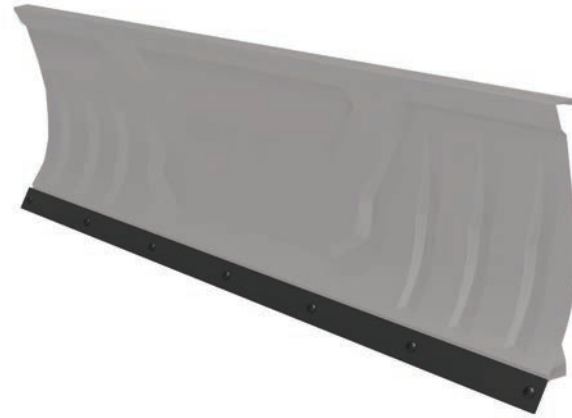
POLY BLADE WEAR BAR

60" - 31-2160

72" - 31-2172

84" - 31-2184

SWITCHBLADE - 17-5100



V-BAR TIRE CHAINS

- Hardened steel v-bars attached to 4-link 9" cross chains for great penetration and ultimate off-road traction
- Durable steel construction
- "B" size chains fit most ATV/UTV models tire sizes 24 x 9 x 10 - 26 x 8 x 12
- "C" size chains fit most ATV/UTV models tire sizes 24 x 10 x 12 - 28 x 10 x 12
- "D" size chains fit most ATV/UTV models tire sizes 30 x 10 x 14 - 29 x 11 x 14
- Please check the fitment chart on kolpin.com for tire size specific



"B" SIZE CHAINS (PAIR) - 50-0020

"C" SIZE CHAINS (PAIR) - 50-0030

"D" SIZE CHAINS (PAIR) - 50-0060

Designed & Printed in the USA

Copyright© 2023 Kolpin Outdoors, Inc.

The following are trademarks and registered trademarks of the following companies:

Arctic Cat®, Alterra®, Wildcat® and Prowler® are registered trademarks of Arctic Cat Inc.; Stampede® and Textron® are registered trademark of Textron, Inc.; Bobcat® is a registered trademark of Clark Equipment Company Corporation; Defender®, Can-Am®, LinQ®, Commander®, Maverick® and Renegade® are registered trademarks of Bombardier Recreational Products Inc.; CFMOTO®, FORCE®, UFORCE®, ZFORCE® are registered trademarks of Zhejiang CFMoto Power Co., Ltd.; Caterpillar® is a registered trademark of Caterpillar Inc.; Cushman® is a registered trademark of Textron Innovations Inc.; Honda®, Fourtrax®, Foreman®, Pioneer®, BIG RED®, TALON®, Rancher®, and Rincon® are registered trademarks of Honda Motor Company, Ltd.; RUBICON® is a registered trademark of FCA US LLC; Kawasaki®, Brute Force®, and Teryx® are registered trademarks of Kawasaki Heavy Industries, Ltd.; Suzuki®, and KingQuad® are registered trademarks of Suzuki Motor Corporation; Yamaha®, Grizzly®, Kodiak®, Viking®, Raptor®, and Wolverine® are registered trademarks of Yamaha Hatsudoki Kabushiki Kaisha; Gravely® and Atlas JSV® are registered trademarks of Ariens Company; John Deere®, GATOR®, and PRO GATOR® are registered trademarks of Deere & Company; Toro®, Dingo® and Workman® are registered trademarks of The Toro Company; Kubota® is a registered trademark of Kubota Corporation; New Holland® is a registered trademark of CNH Industrial N.V.; Bluetooth® is a registered trademark of Bluetooth Sig, Inc.; 509® is a registered trademark of Teton Outfitters, LLC; ALPS MOUNTAINEERING® and ALPS OUTDOORZ® are registered trademarks of Active Lifestyle Products & Services Inc.; Benelli® is a registered trademark of BENELLI ARMI S.P.A.; Blue42® is a registered trademark to Relevant Power Solutions, LLC; Boone and Crockett Club® is a registered trademark of Boone and Crockett Club; Browning® is a registered trademark of Browning Corporation; Confluence Group™ is a service trademark of The Honey Brake Confluence, LLC DBA The Confluence Group LIMITED LIABILITY COMPANY; CRUSH WITH LEE & TIFFANY® is a registered trademark of LT Lakosky, LLC; Delta Waterfowl® is a registered trademark of Delta Waterfowl Foundation; Do-All Outdoors® is a registered trademark of Do-All Traps, LLC DBA DO-ALL OUTDOORS, LLC; Dokken's® is a registered trademark of Dokken's Dog Supply, Inc.; Filson® is a registered trademark of C.C. Filson Co.; Fisher Design® is a registered trademark of Fisher Design, Inc.; GoWild™ is a service trademark of GOWILD ALPHA INC. CORPORATION; GUIDEFITTER® is a registered trademark of GUIDEFITTER, INC.; Gunner Kennels® is a registered trademark of Edmonds Outdoors, LLC; Hayden Outdoors® is a registered trademark of Hayden Outdoors, L.L.C.; Hunt Masters® is a registered trademark by Gregg Ritz IP, LLC; Mathews® is a registered trademark of MCP IP, LLC; MTN OPS® is a registered trademark of MTN OPS LIMITED LIABILITY COMPANY; OnX™ is a service trademark of onXmaps, Inc.; Pheasants Forever® and Quail Forever® are registered trademarks of Pheasants Forever, Inc.; ProArmor is a registered trademark of Polaris Industries Inc.; Rural Cloth® is a registered trademark of Rural Cloth, LLC; Sitka® is a registered trademark of W.L. Gore & Associates, Inc.; Springfield Armory® is a registered trademark of SPRINGFIELD, INC.; SPOT-HOGG® is a registered trademark of SPOT-HOGG ARCHERY PRODUCTS, INC.; Traeger® is a registered trademark of Traeger Pellet Grills LLC; Trail Tech is a registered trademark of Polaris Industries Inc; VTX® and Vortex® are registered trademarks of Sheltered Wings, Inc. DBA Vortex Optics;

Some Kolpin products may include chemicals known under California Proposition 65 to cause cancer or reproductive toxicity.



2023-24

Kolpin Outdoors, Inc.
9955 59th Ave N
Plymouth, MN 55442

www.kolpin.com

Telephone: (763) 478-5800
Toll Free: (877) 956-5746
Email: customerservice@kolpin.com

Copyright 2023 Designed & Printed in the USA

SHARE YOUR #KOLPIN ADVENTURES WITH US

