

HAND GUARD MOUNT KIT



P/N 2889341

BEFORE YOU BEGIN

Read these instructions and check to be sure all parts and tools are accounted for. Please retain these installation instructions for future reference and parts ordering information.

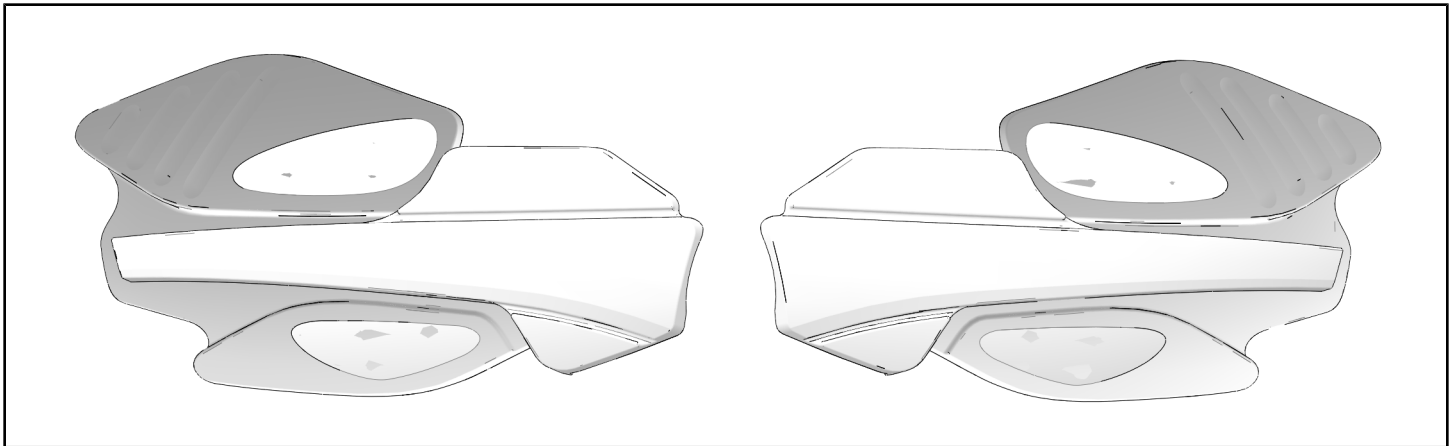
APPLICATION

Verify accessory fitment at www.polaris.com.

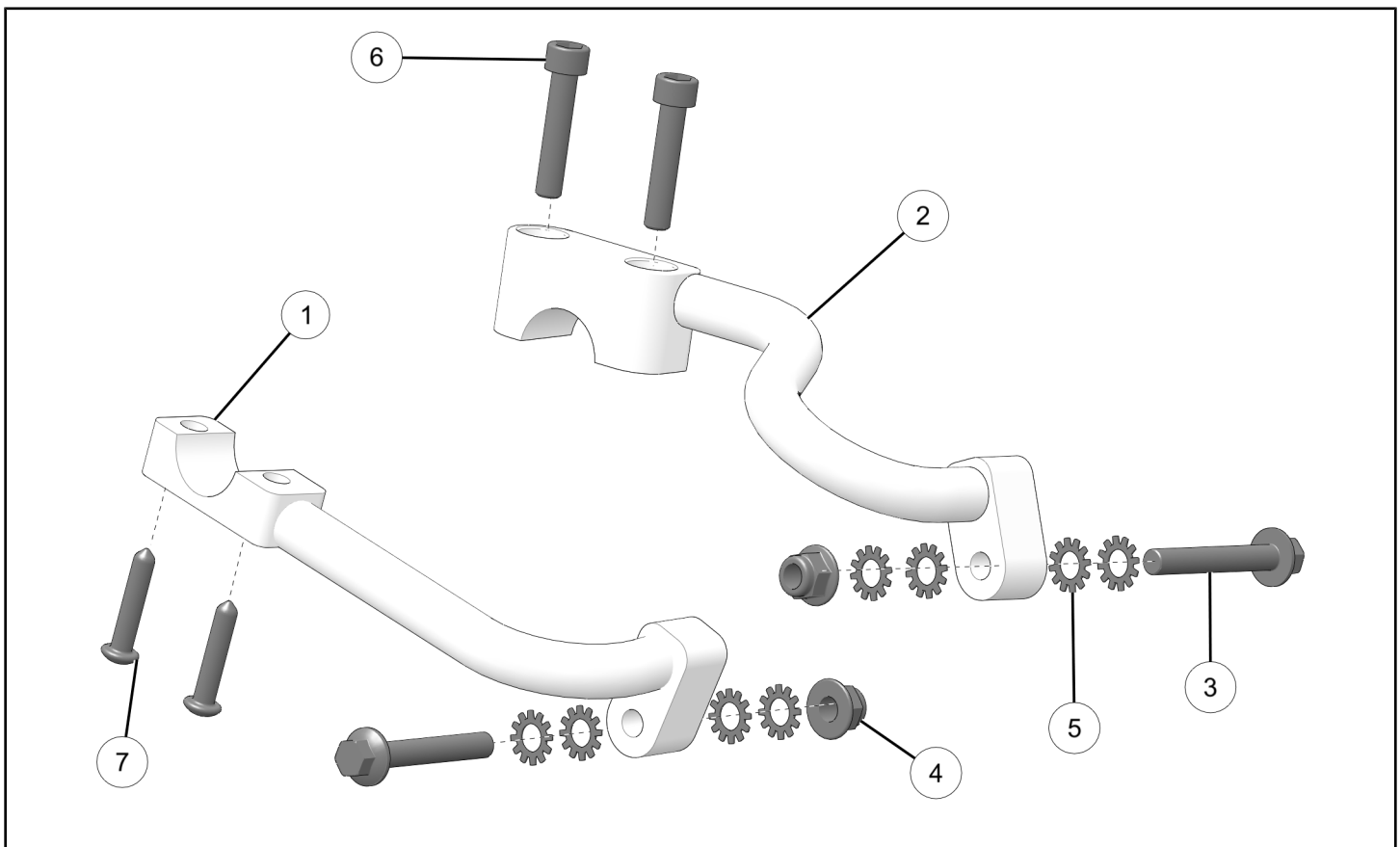
REQUIRED SOLD SEPARATELY

Only parts for installation of the Hand Guard Mount Kit are included. For complete installation, the following additional kit is required (sold separately):

- *Hand Guards*, P/N 2876883; 2876846; 2876845



KIT CONTENTS



REF	QTY	PART DESCRIPTION	P/N AVAILABLE SEPARATELY
1	1	Assembly – Mount, Hand Guard, Right-Hand	n/a
2	1	Assembly – Mount, Hand Guard, Left-Hand	n/a
3	2	Bolt – Flange Hex, M6 x 1.0 x 40 mm	n/a
4	2	Nut – Flange Hex, M6 x 1.0 mm	n/a
5	8	Washer – 6.4 x 11 x 0.5 mm	n/a
6	2	Screw – Hex Socket Head, M6 x 1.0 x 30 mm	n/a
7	2	Screw – Torx® Hi/Lo, #10 x 1 in	n/a

TOOLS REQUIRED

- Safety Glasses
- Socket Set, Hex Bit, Metric
- Socket Set, Metric
- Socket Set, SAE
- Socket Set, Torx® Bit
- Torque Wrench
- Wrench Set, Metric

IMPORTANT

Your Hand Guard Mount Kit is exclusively designed for your vehicle. Please read the installation instructions thoroughly before beginning. Installation is easier if the vehicle is clean and free of debris. For your safety, and to ensure a satisfactory installation, perform all installation steps correctly in the sequence shown.

INSTALLATION INSTRUCTIONS

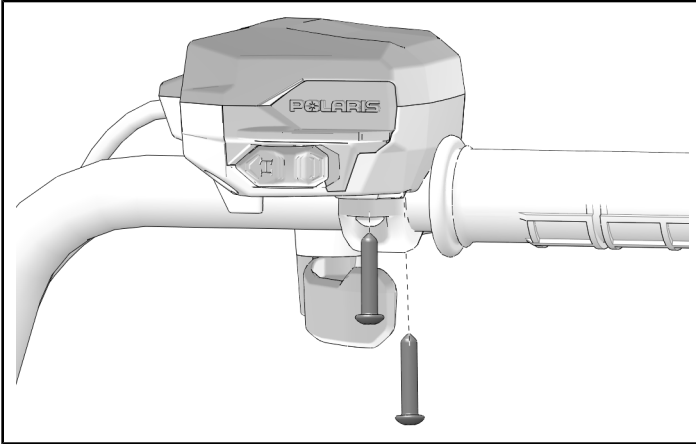
VEHICLE PREPARATION

GENERAL

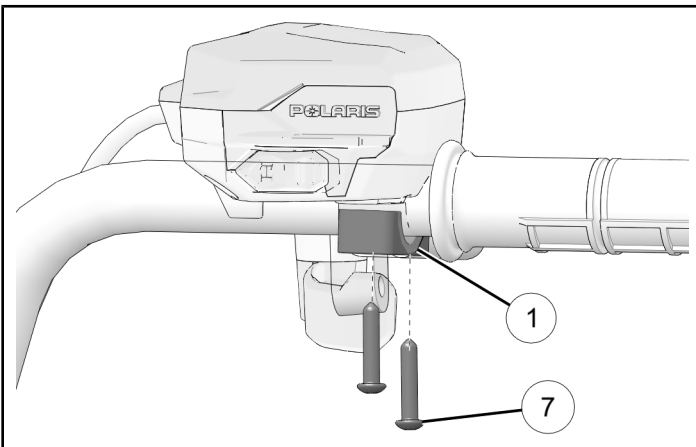
1. Park vehicle on a flat surface.
2. Push engine stop switch to OFF position.
3. Turn key to OFF position and remove key.

ACCESSORY INSTALLATION

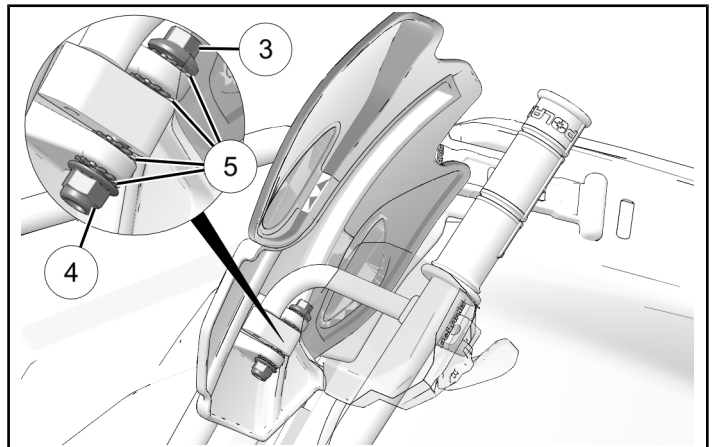
1. Remove and discard two screws from the bottom of the right-hand throttle control. Remove bottom clamp.



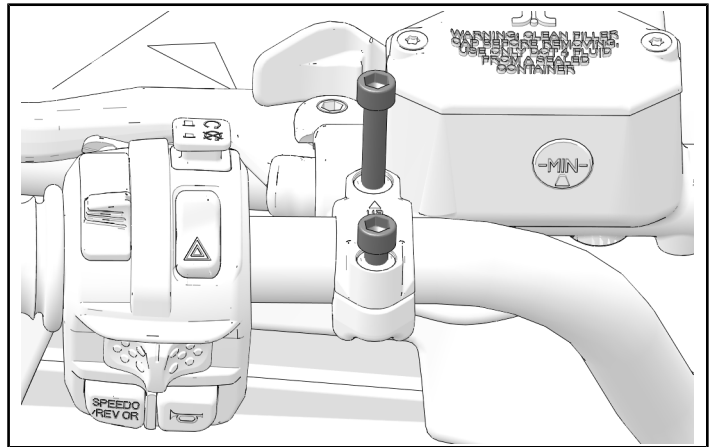
2. Install right-hand hand guard mount ① to bottom of handlebar with two screws ⑦. Tighten until fully seated.



3. Install right-hand *hand guard* (sold separately) onto the hand guard mount with one bolt ③, one nut ④, and four washers ⑤. Put one washer between each side of the hand guard mount and hand guard.



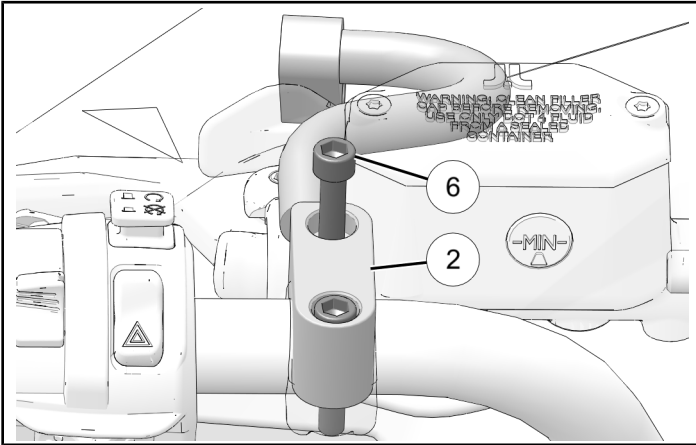
4. Put *hand guard* in desired position. Counter-hold nut ④ and tighten bolt ③ until fully seated.
5. Remove and discard two screws from the top of the left-hand brake master cylinder clamp. Remove top clamp.



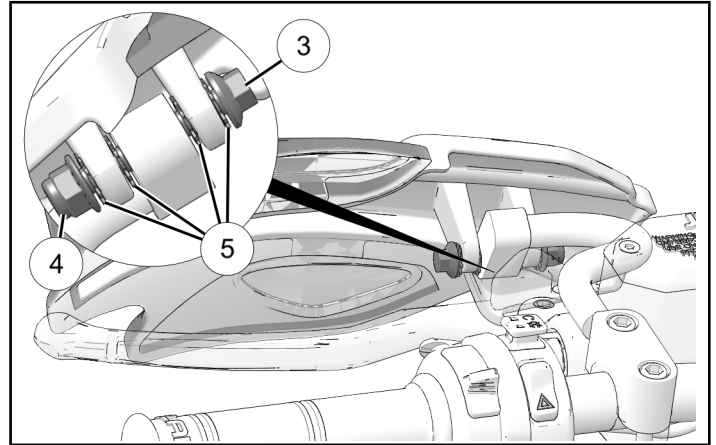
6. Install left-hand hand guard mount ② with two screws ⑥. Torque to specification.

TORQUE

Left-Hand Mount Screws ⑥:
70 in-lbs (8 N·m)



7. Install left-hand *hand guard* (sold separately) onto the hand guard mount with one bolt ③, one nut ④, and four washers ⑤. Put one washer between each side of the hand guard mount and hand guard.



8. Put *hand guard* in desired position. Counter-hold nut ④ and tighten bolt ③ until fully seated.

INSTRUCTION FEEDBACK FORM

A feedback form has been created for the installer to provide any comments, questions or concerns about the installation instructions. The form is viewable on mobile devices by scanning the QR code or by clicking [HERE](#) if viewing on a PC.

