

RIDE COMMAND KIT



P/N 2889455

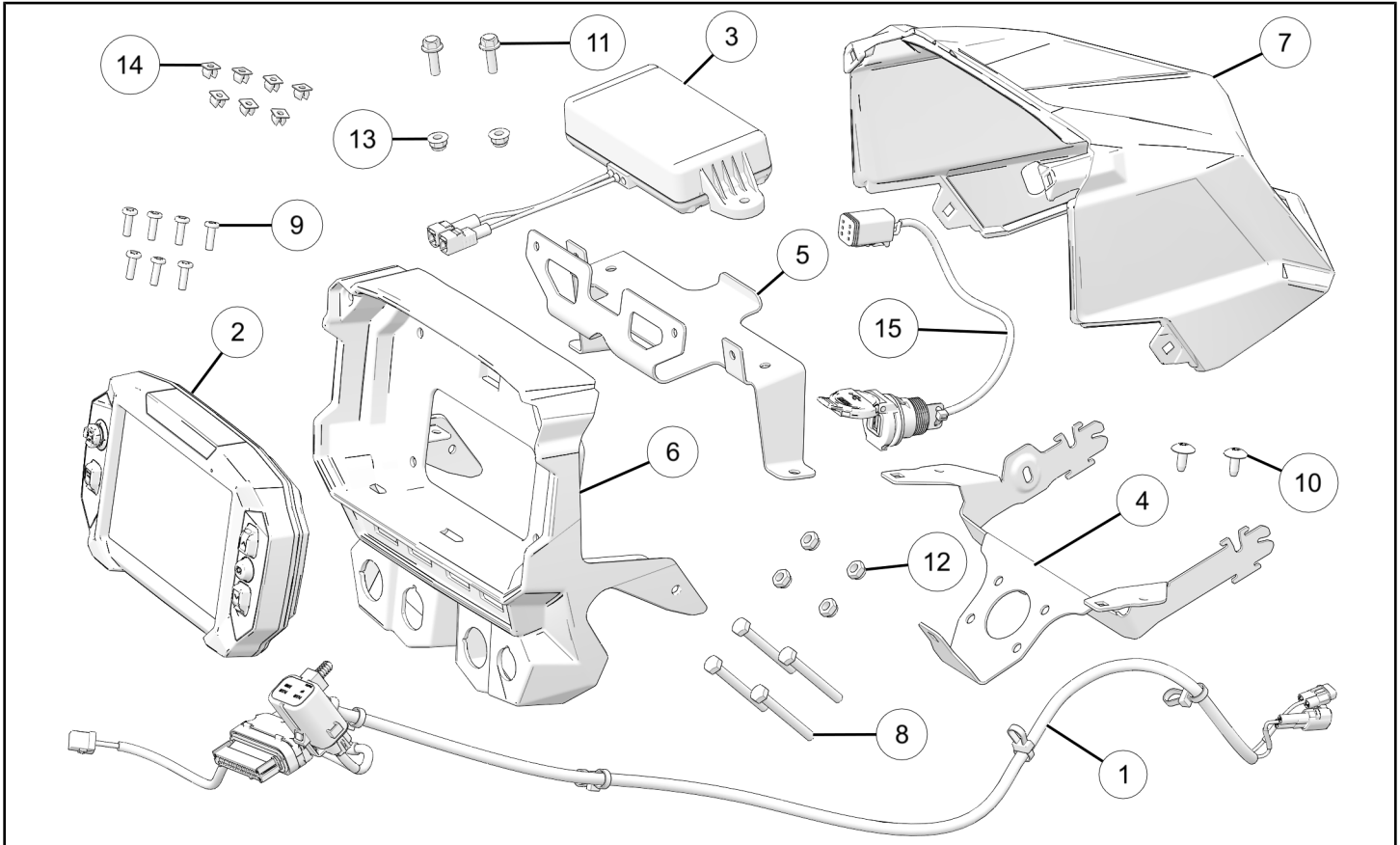
BEFORE YOU BEGIN

Read these instructions and check to be sure all parts and tools are accounted for. Please retain these installation instructions for future reference and parts ordering information.

APPLICATION

Verify accessory fitment at www.polaris.com.

KIT CONTENTS

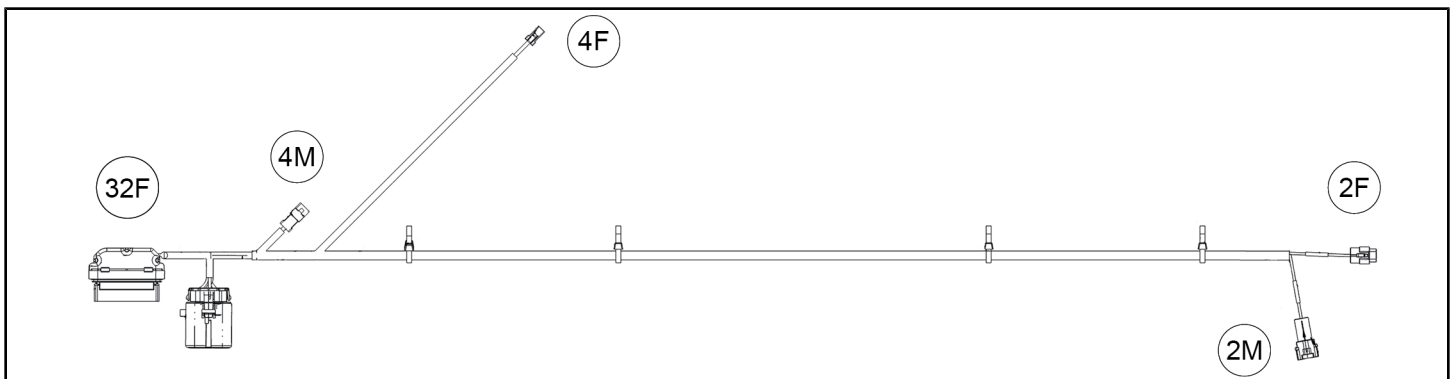


REF	QTY	PART DESCRIPTION	P/N AVAILABLE SEPARATELY
1	1	Harness – Jumper, Plowmode	2416115
2	1	Display – Digital, 7W, ATV	3286846
3	1	Antenna – GPS, ATV	4080356
4	1	Bracket – Pod	5271907
5	1	Bracket – Antenna	5272640
6	1	Pod – Headlight, Rear	5458604
7	1	Pod – Headlight, Front, Basic	5458700
8	4	Screw – Hex, Grade 8, 1/4 -20 x 2.25 in	7515189

REF	QTY	PART DESCRIPTION	P/N AVAILABLE SEPARATELY
9	7	Screw – Torx®, 10 x 5/8 in	7518238
10	2	Screw – Torx®, M6 x 1.0 x 15 mm	7519092
11	2	Screw – Hex, Flanged, M6 x 1.0 x 20 mm	7520122
12	4	Nut – Locking, 1/4 -20 in	7542122
13	2	Nut – Hex, Flanged, Locking, M6 x 1.0 mm	7547453
14	7	Clip – Screw, #8/10 x .03–.010 in	7670127
15	1	USB Data Port	4080299

HARNESS DETAIL

PLOW MODE JUMPER HARNESS ①



REF	PART DESCRIPTION	CONNECTS TO
32F	Display Connector	Ride Command Display
4M	Vehicle Winch Switch Connector	Winch Switch
4F	Winch Switch To Winch	Winch Switch Out
2F	Winch Contactor To Winch	Winch Contactor Out
2M	Winch Contactor Input	Winch Contactor

Example: 16F = 16 pin, Female / 16M = 16 pin, Male (Male terminal fits inside female terminal)

TOOLS REQUIRED

- Safety Glasses
- Pliers, Push Pin Rivet
- Screwdriver, Slotted
- Socket Set, Metric
- Socket Set, SAE
- Socket Set, Torx® Bit
- Torque Wrench
- Wrench Set, Metric
- Wrench Set, SAE

IMPORTANT

Your Ride Command Kit is exclusively designed for your vehicle. Please read the installation instructions thoroughly before beginning. Installation is easier if the vehicle is clean and free of debris. For your safety, and to ensure a satisfactory installation, perform all installation steps correctly in the sequence shown.

INSTALLATION INSTRUCTIONS

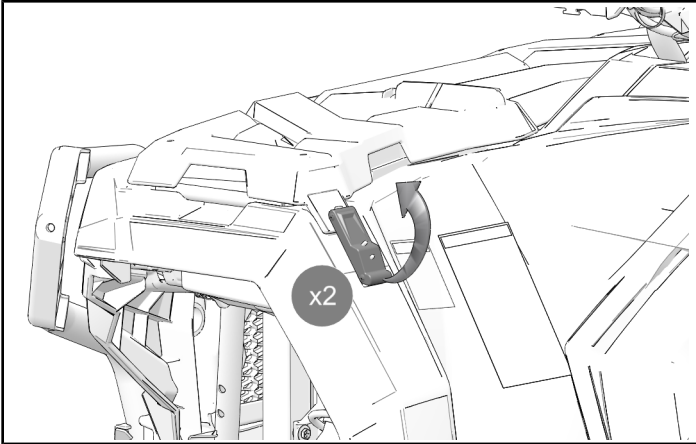
VEHICLE PREPARATION

GENERAL

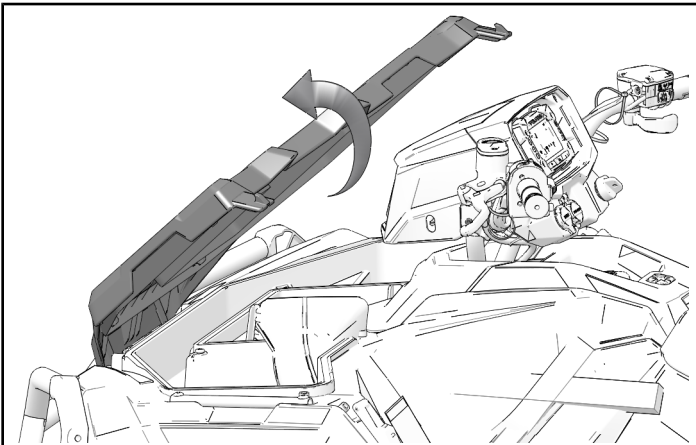
1. Park vehicle on a flat surface.
2. Push engine stop switch to OFF position.
3. Turn key to OFF position and remove key.

DISCONNECT BATTERY 450/570 MODELS

1. Release rubber latch on left and right sides of cargo platform.



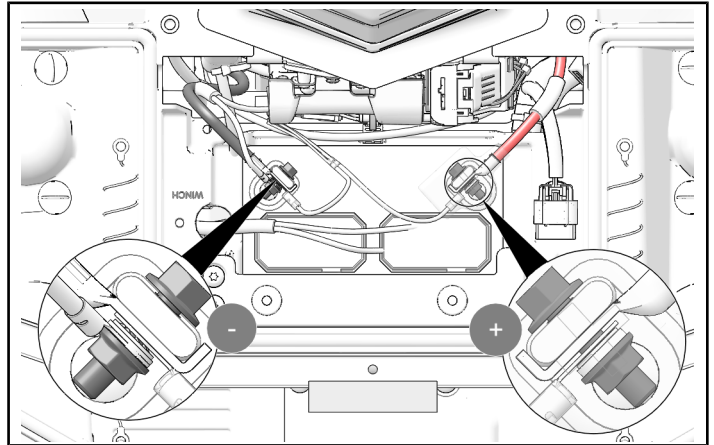
2. Open cargo platform.



3. Remove hardware from negative (-) battery cable.
Remove hardware from positive (+) battery cable.

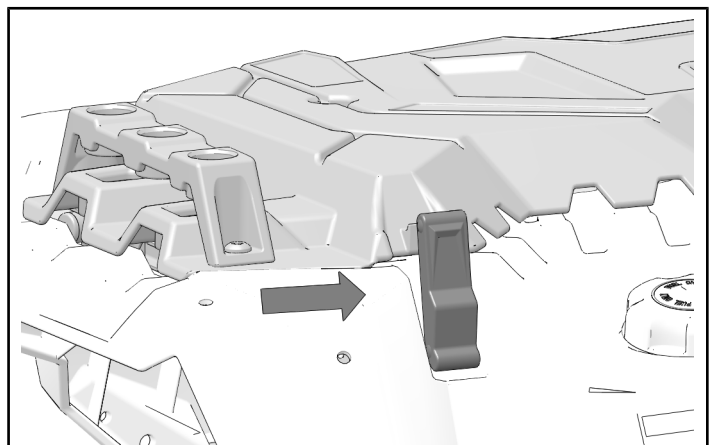
⚠ WARNING

Always disconnect black negative cable from battery first. Failure to do so can result in high current electrical arc and may result in battery explosion. Serious injury or death may occur.

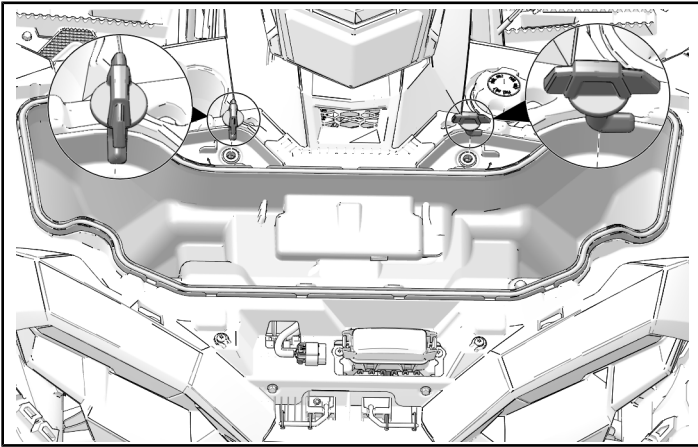


DISCONNECT BATTERY 850/1000 MODELS

1. Release rubber latch on both sides and open front rack.

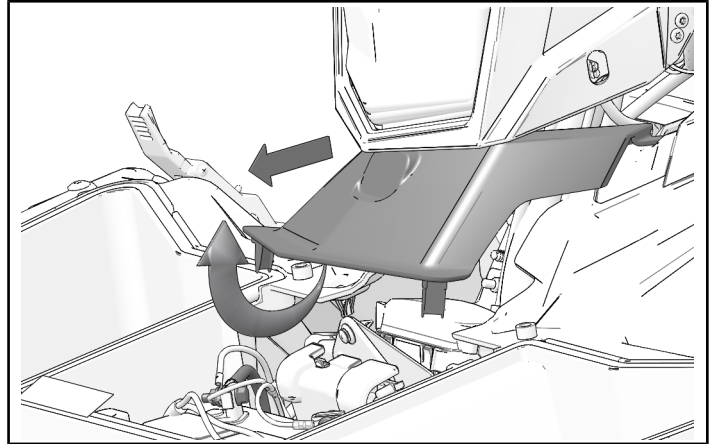


2. Remove two fasteners from front storage bin.
Remove front storage bin.

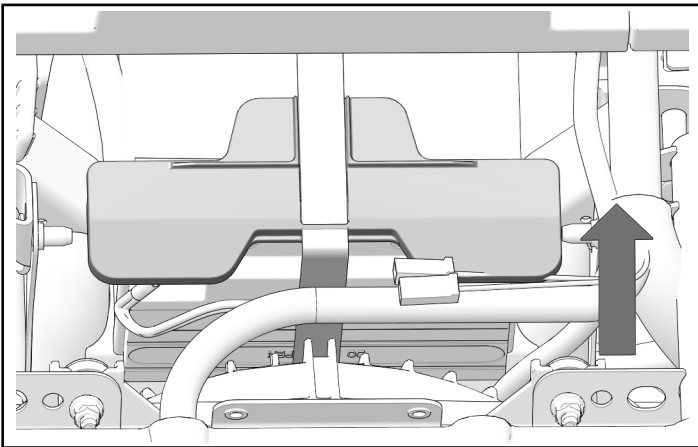


POD PREPARATION 450/570 MODELS

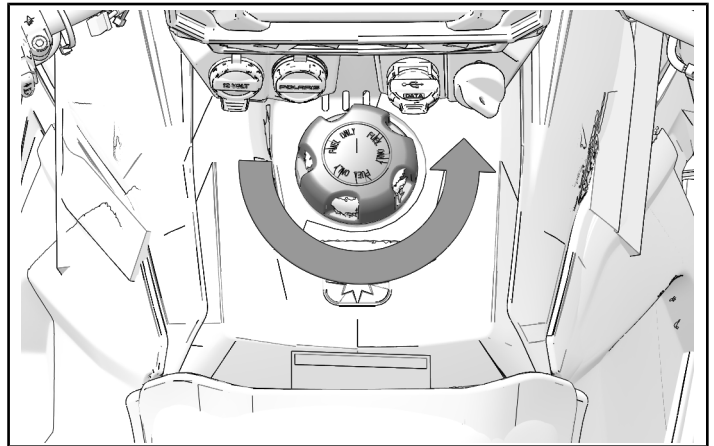
1. Remove front center cover.



3. Fold up ends of battery cover to access battery bolts.



2. Remove gas cap.

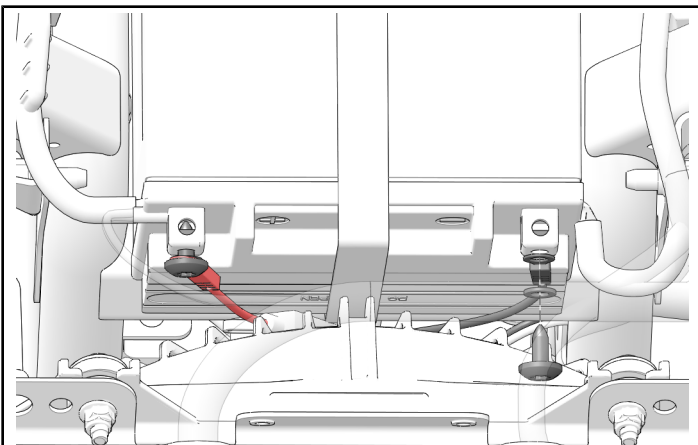
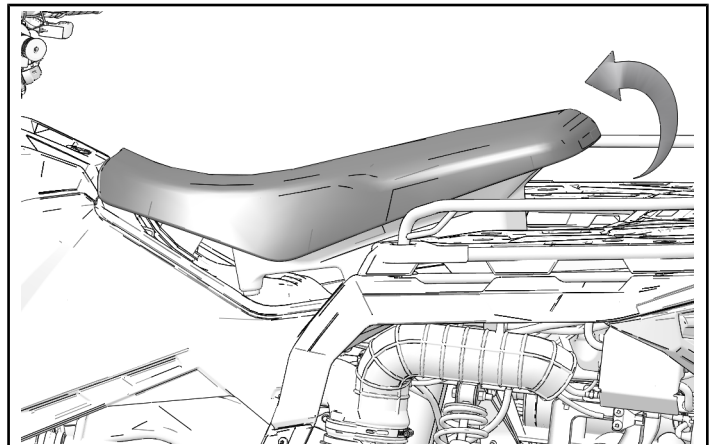


4. Remove bolt from black negative battery cable and disconnect negative battery cable. Remove bolt from red positive battery cable and disconnect positive battery cable.

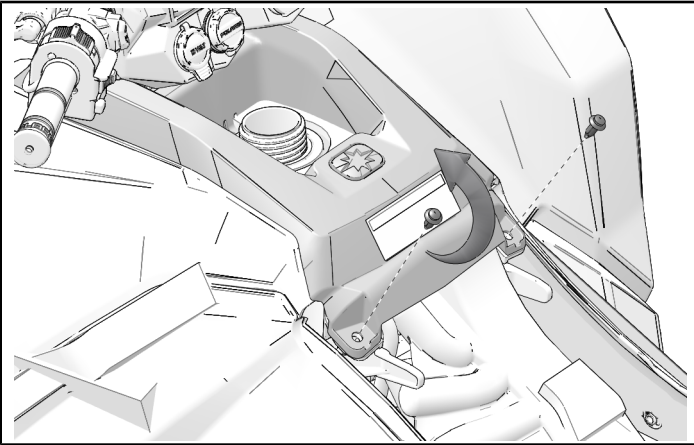
WARNING

Always disconnect black negative cable from battery first. Failure to do so can result in high current electrical arc and may result in battery explosion. Serious injury or death may occur.

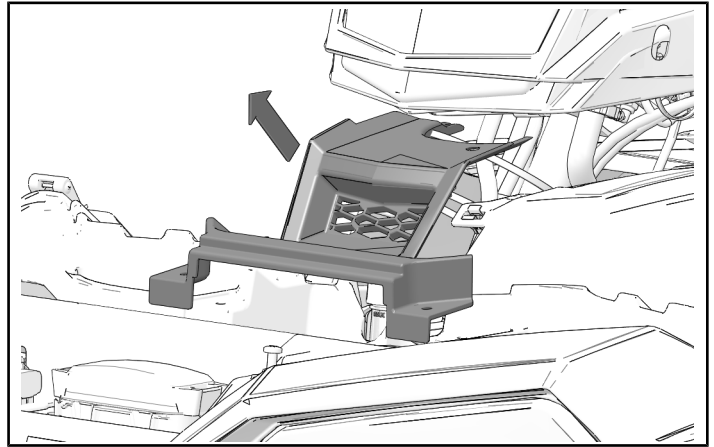
3. Remove seat.



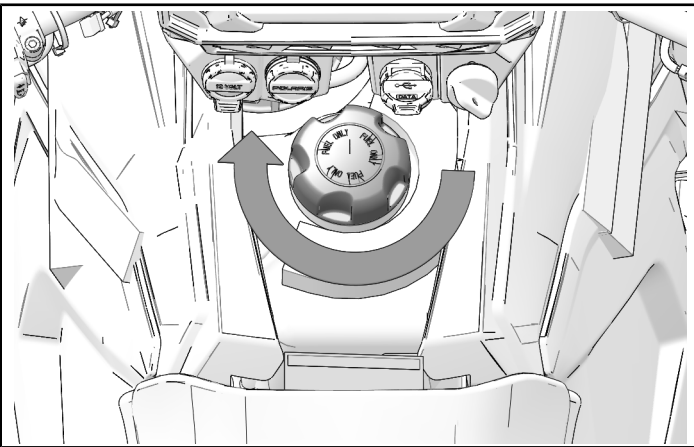
4. Remove two push pins from rear center cover.
Remove rear center cover.



2. Remove front center cover.



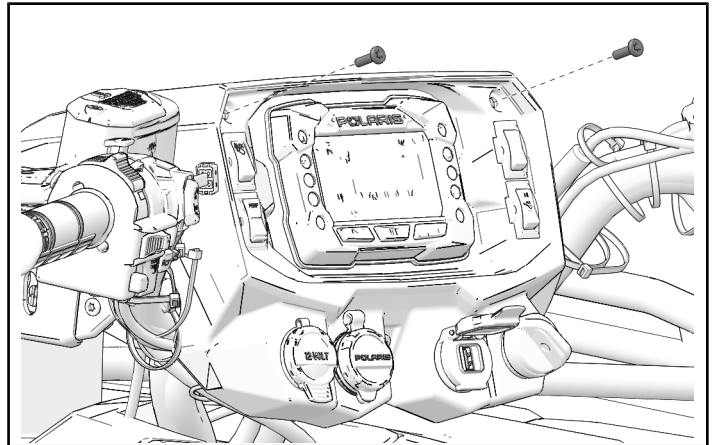
5. Install gas cap.



ACCESSORY INSTALLATION

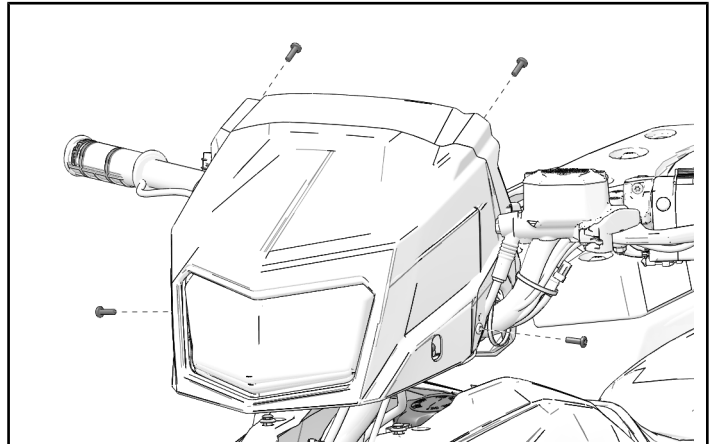
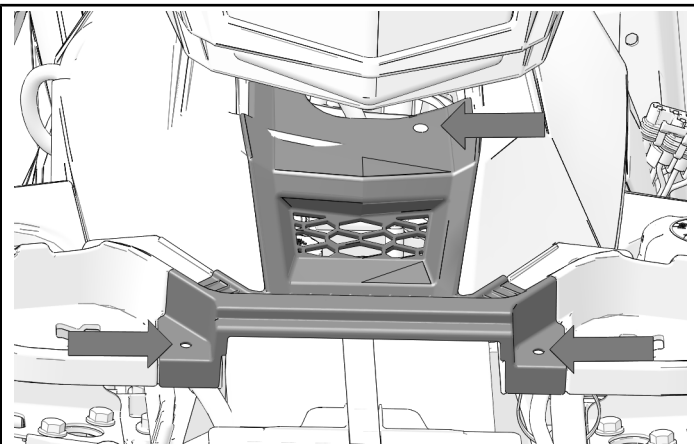
POD DISASSEMBLY

1. Remove four headlight pod screws. Remove front pod.

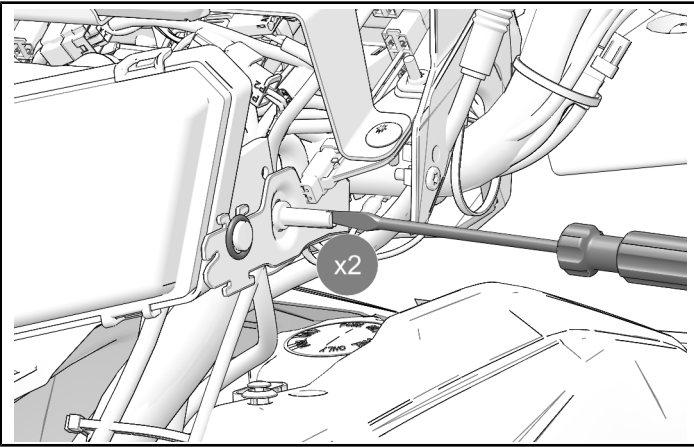


POD PREPARATION 850/1000 MODELS

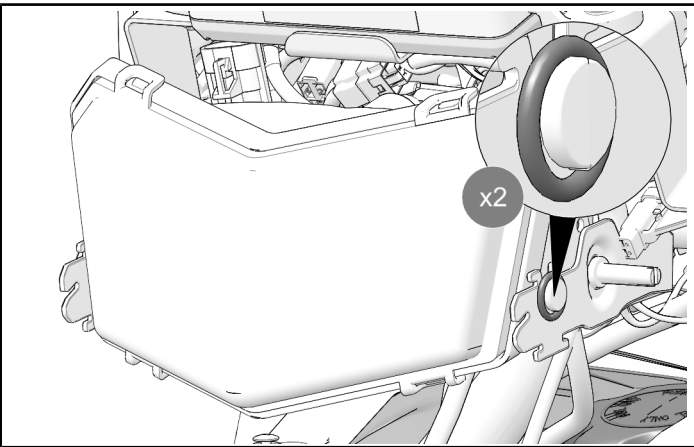
1. Remove one push pin and two screws from front center cover.



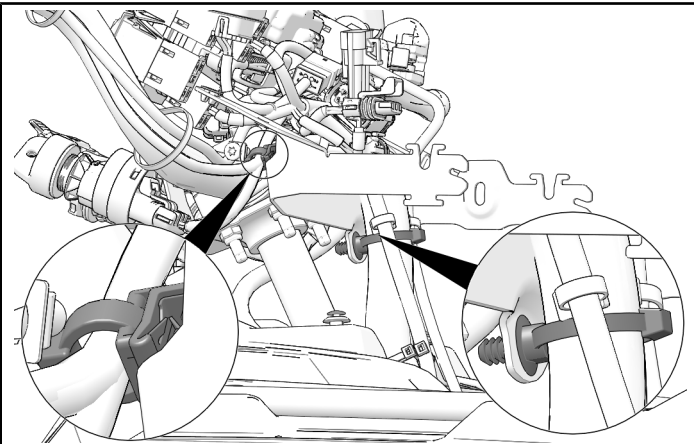
2. Remove two headlight adjustment screws.



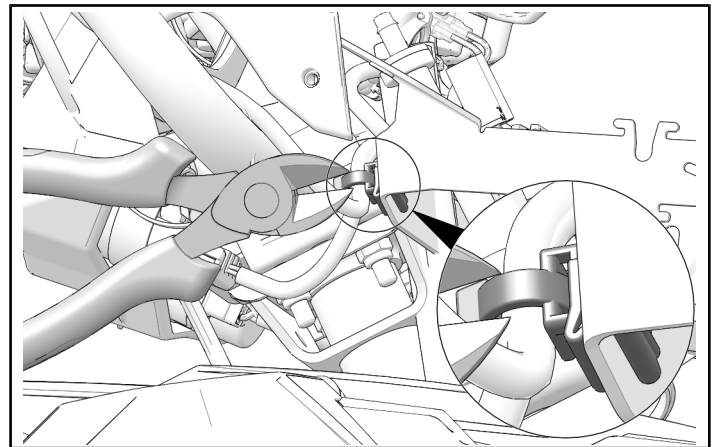
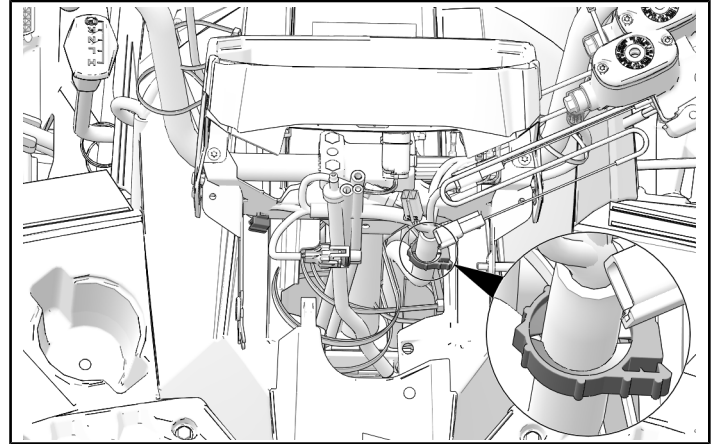
3. Remove two headlight o-rings. Disconnect headlight wiring and remove headlight.



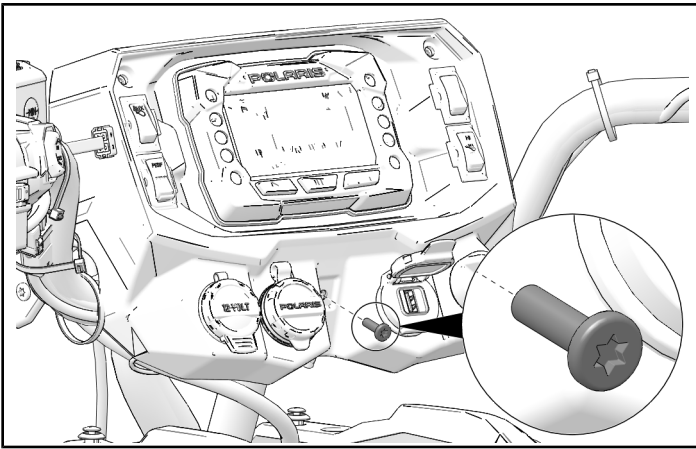
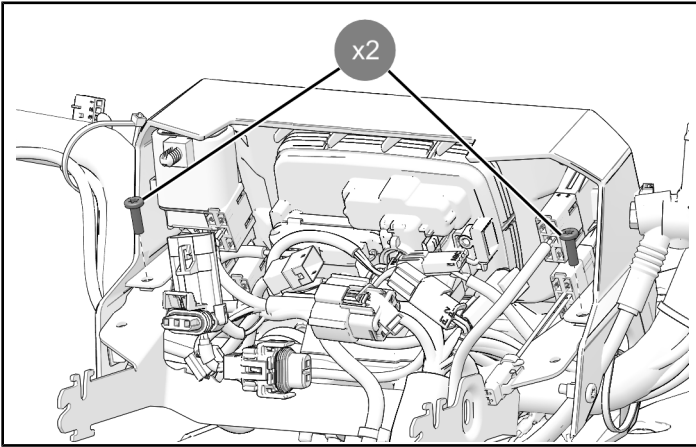
4. On 450/570 models, cut the clips on the main harness and ignition switch wiring.



5. On 850/1000 models, open the clip for the main harness. Cut the clip holding the ignition switch wiring.



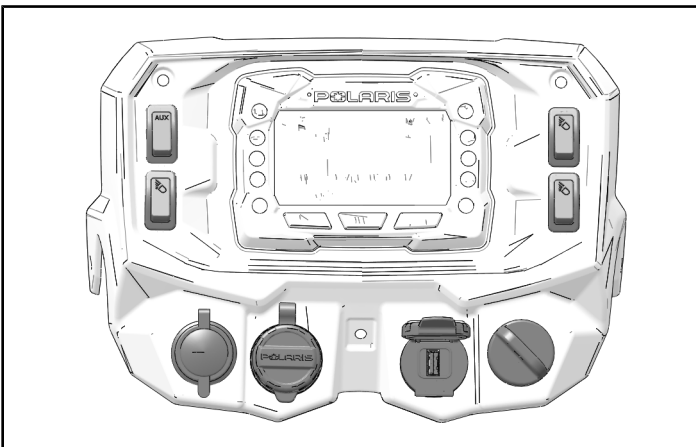
6. Remove three gauge pod screws. Disconnect wiring and remove gauge pod.



7. Remove switch plugs and/or switches, electrical connections and ignition switch from gauge pod. Note location of each.

NOTICE

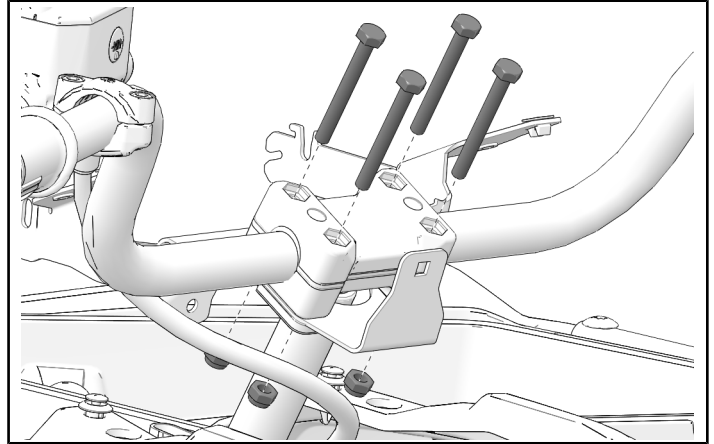
Some switch locations may change on Ride Command gauge pod.



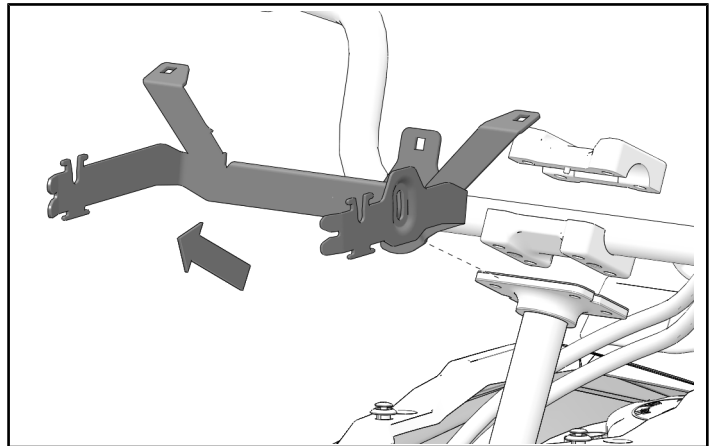
8. Remove handlebar fasteners.

IMPORTANT

Note position of handlebars for reassembly.



9. Remove gauge pod bracket.



10. Put Ride Command gauge pod bracket ④ in position on steering post.



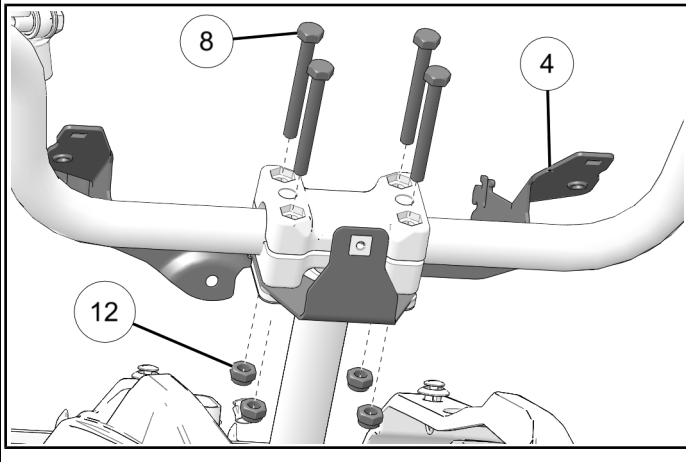
11. Install handlebars using four screws ⑧ and four nuts ⑫. Make sure bracket ④ is held in position. Torque to specification.

IMPORTANT

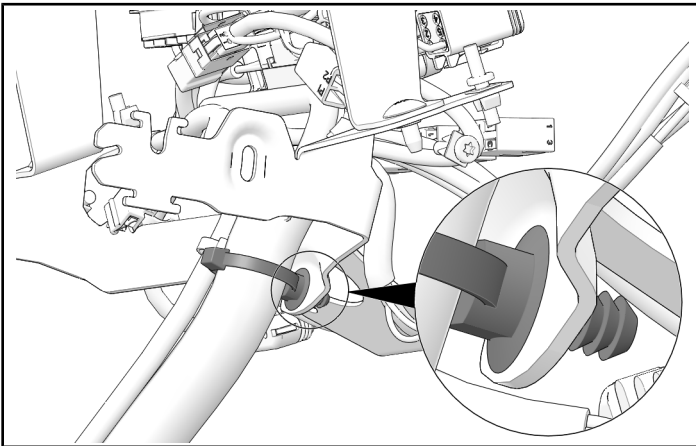
Make sure handlebars are rotated correctly into original position.

TORQUE

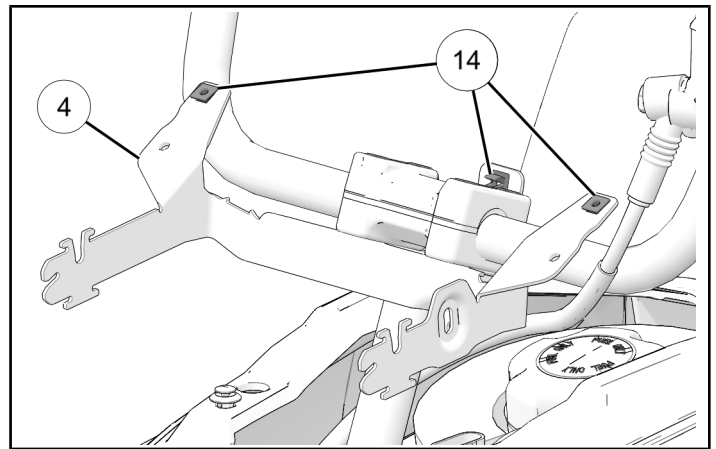
Handlebar Mount Nuts ⑫:
14 ft-lbs (19 N·m)



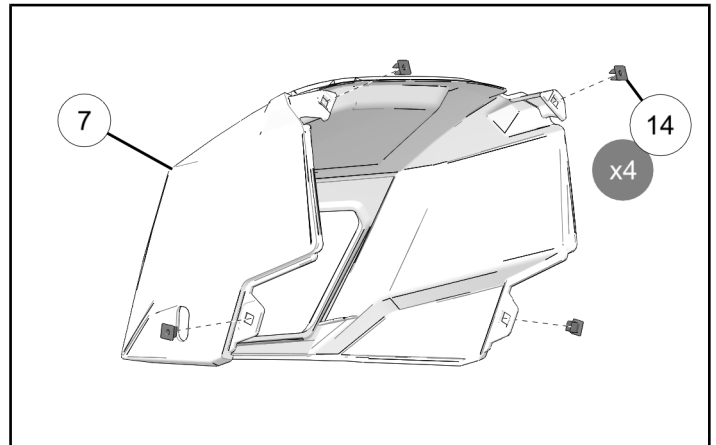
12. Attach main wiring harness to pod bracket using existing push pin retainer.



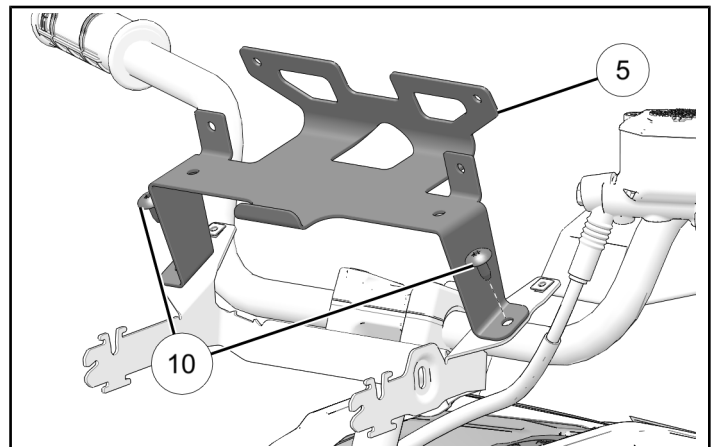
13. Install three clips ⑭ in bracket ④.



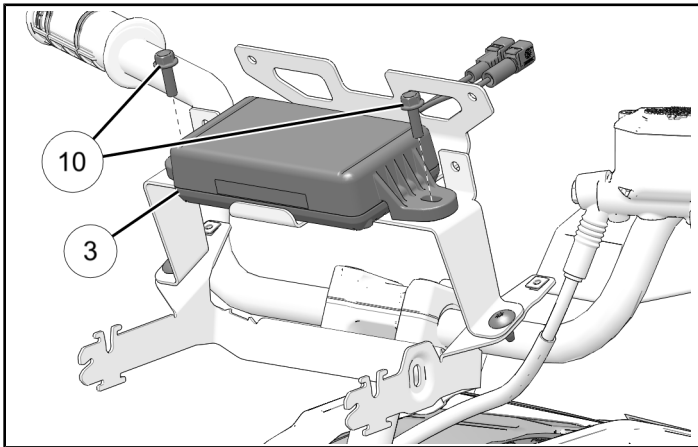
14. Install four clips ⑭ in headlight pod ⑦.



15. Install antenna bracket ⑤ using two screws ⑩. Tighten until fully seated.



16. Install antenna ③ using two screws ⑩. Tighten until fully seated.



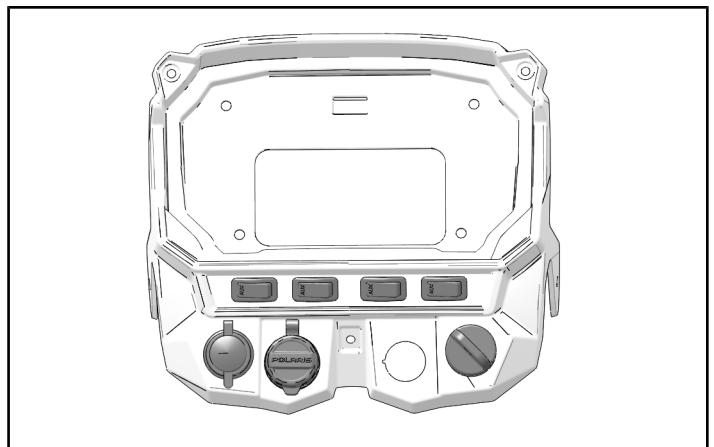
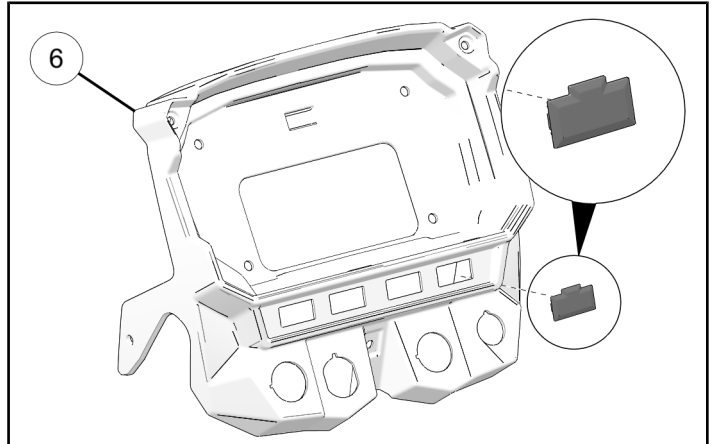
17. Install switch blanks/rocker switches, electrical connections and ignition switch to gauge pod ⑥. Torque battery tender and ignition key switch to specification. Tighten others until fully seated.

TORQUE

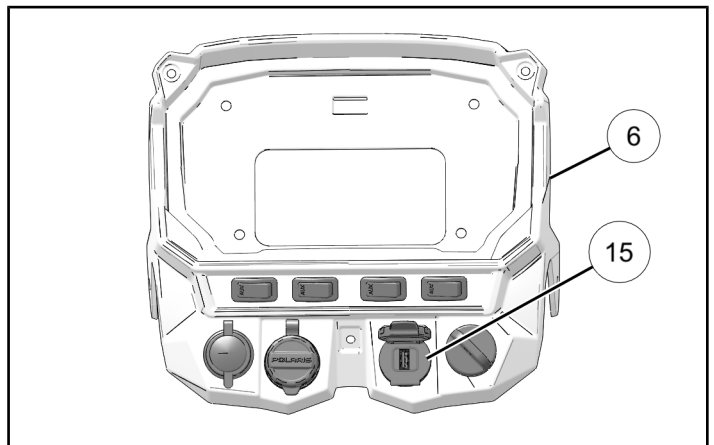
Battery Tender:
48.6 in-lbs (5.5 N·m)

TORQUE

Key Switch:
22 in-lbs (2.5 N·m)



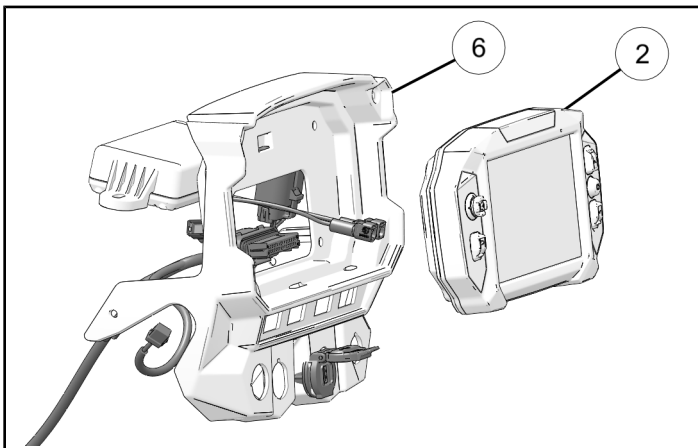
18. Install USB data port ⑮ in gauge pod ⑥.



19. Put Ride Command screen ② in gauge pod ⑥ and connect wiring to rear of Ride Command screen.

NOTICE

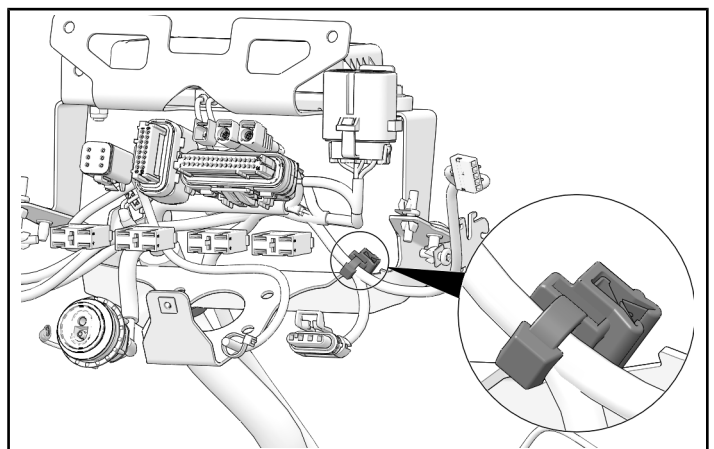
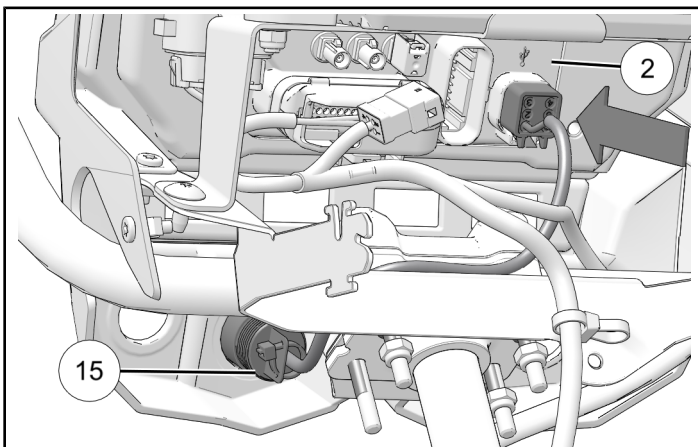
See next section for optional Plow Mode harness connection.



22. Connect rocker switches, power outlets and ignition switch. Make sure ignition switch wiring is clipped to pod bracket.



20. Connect USB data port ⑮ to display ②. Route wiring around steering post as shown.

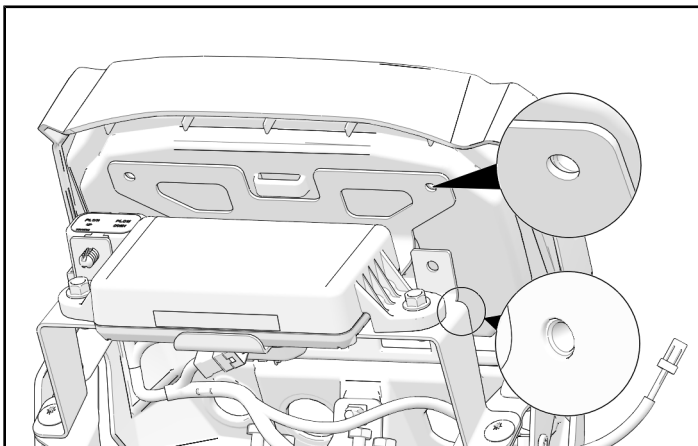


INSTALL PLOW MODE HARNESS (OPTIONAL)

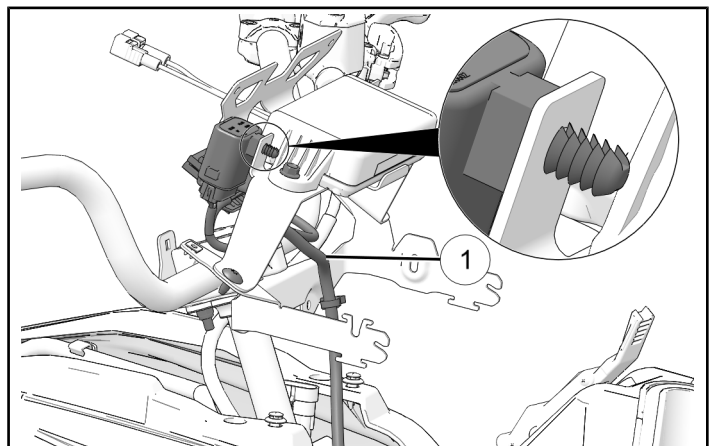
NOTICE

Plow mode harness is necessary if vehicle is equipped with Auto Stop winch.

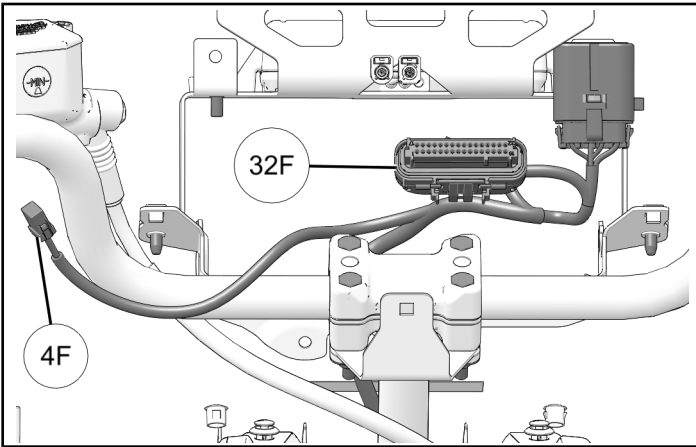
21. Attach to bracket using four screws (not shown). Tighten until fully seated.



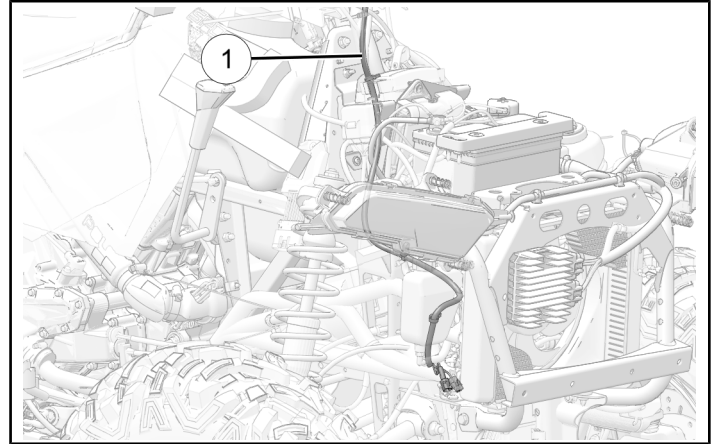
1. Attach accessory load center on harness ① to bracket using push pin.



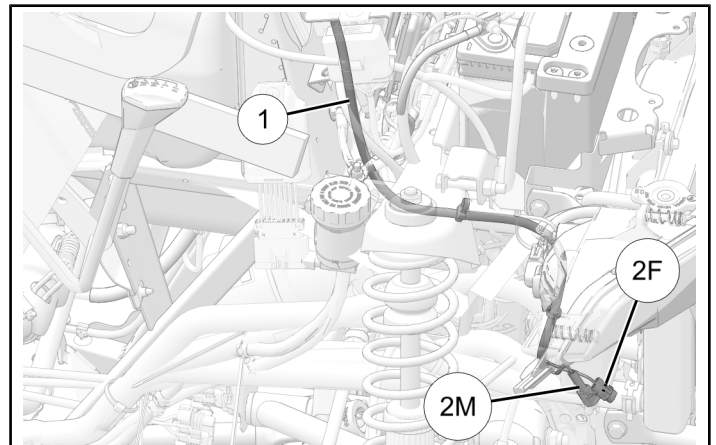
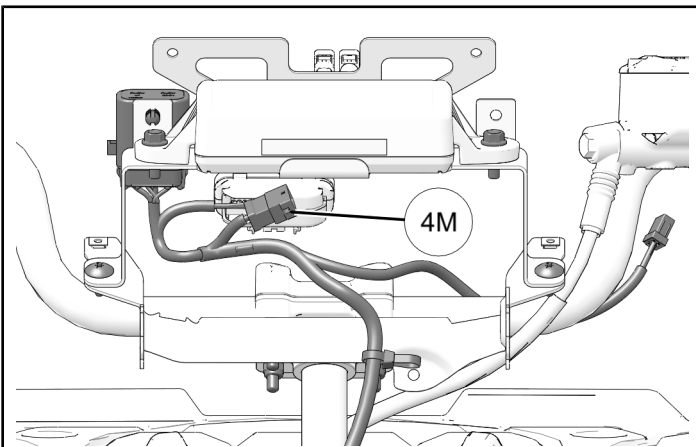
2. Connect **32F** to display. Connect **4F** to handlebar switch.



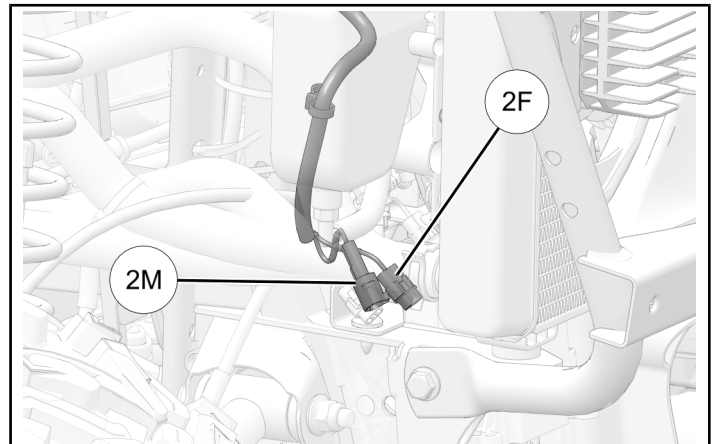
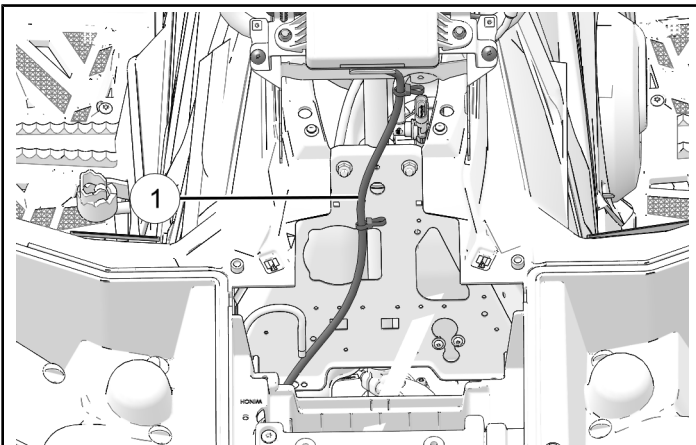
5. Route harness ① along frame. Connect **2F** to winch contactor output. Connect **2M** to winch contactor.



3. Connect **4M** to winch switch on gauge pod.

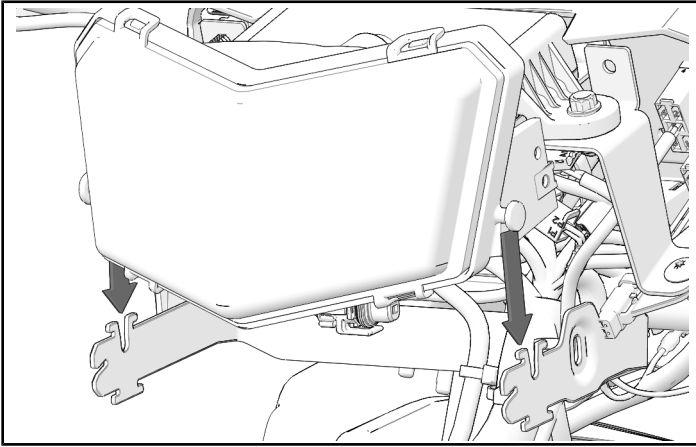


4. Route harness ① along front side of steering post.

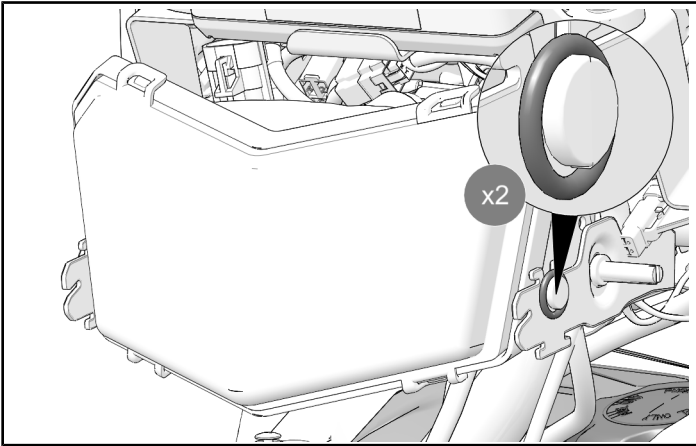


INSTALL HEADLIGHT POD

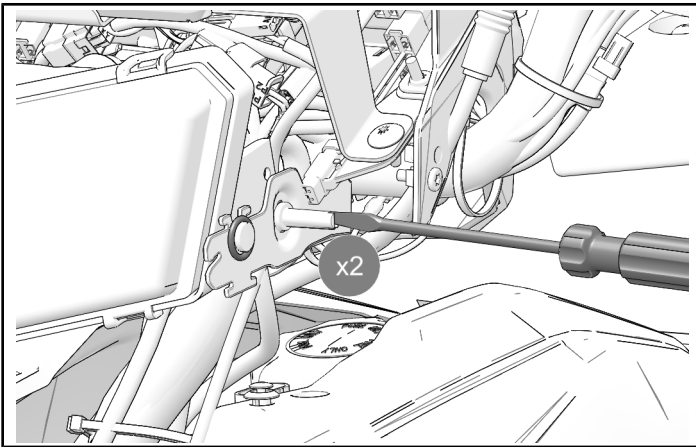
1. Install headlight. Connect wiring.



2. Install two o-rings.



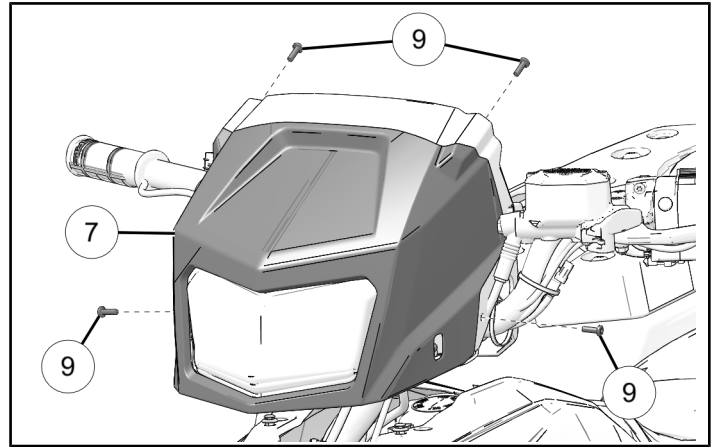
3. Install two headlight adjustment screws.



4. Install headlight pod ⑦ and attach using four screws ⑨. Tighten until fully seated.

NOTICE

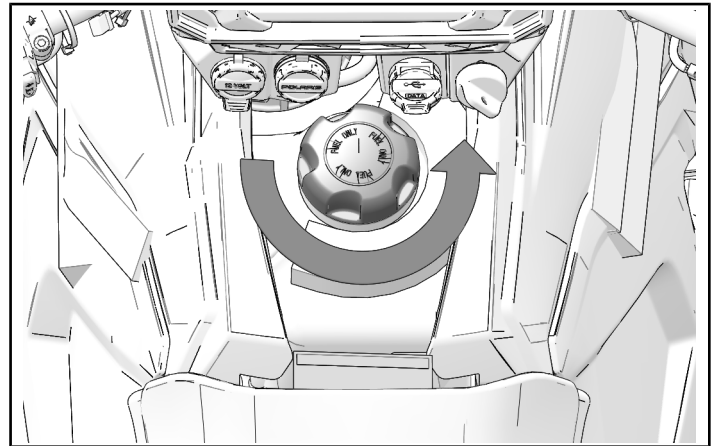
Refer to Owner's Manual for headlight adjustment procedure.



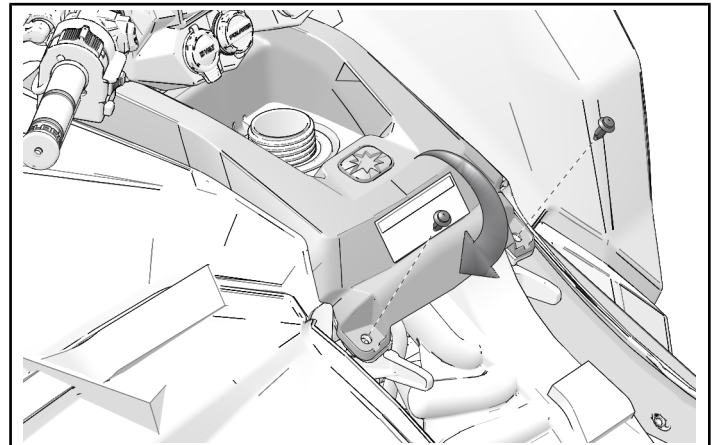
VEHICLE REASSEMBLY

BODY REASSEMBLY 450/570

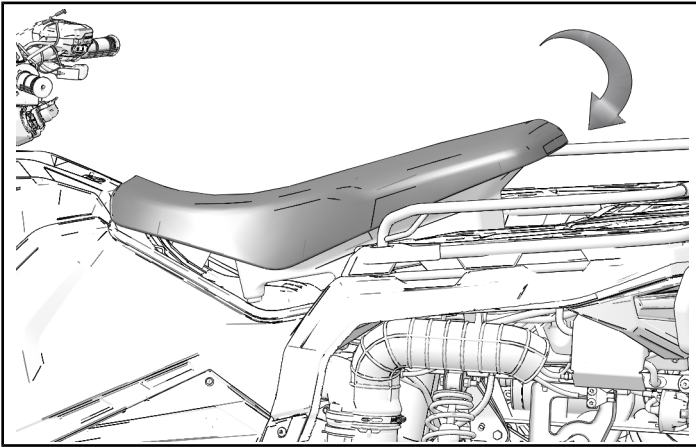
1. Remove fuel cap.



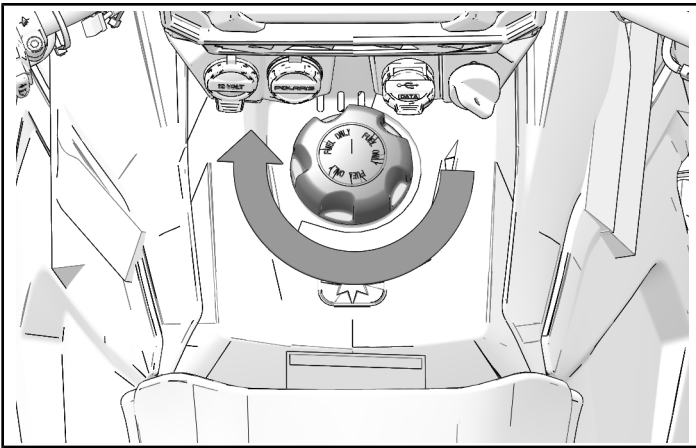
2. Install rear center cover. Attach using two push pin rivets.



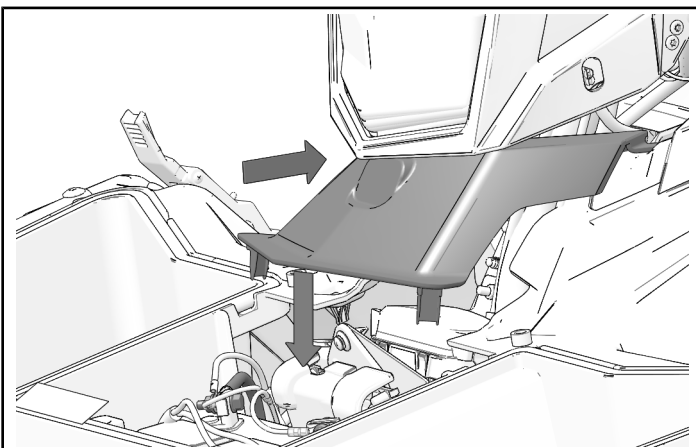
3. Install seat.



4. Install fuel cap.

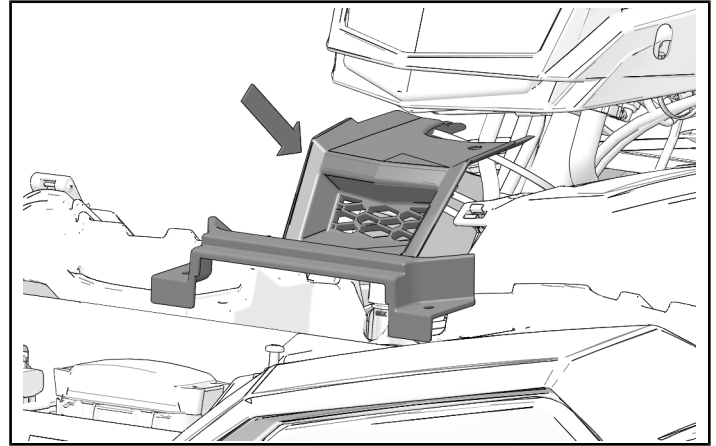


5. Install rear tabs of front center cover, then snap front tabs into place.

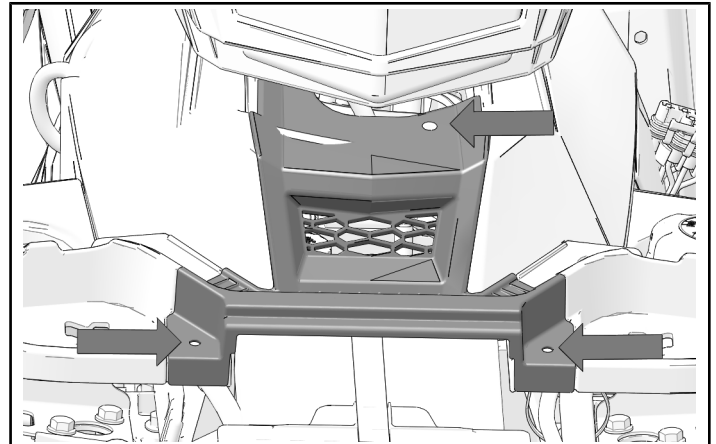


BODY REASSEMBLY 850/1000

1. Install front center piece.



2. Attach front center piece using two screws and one push pin rivet.

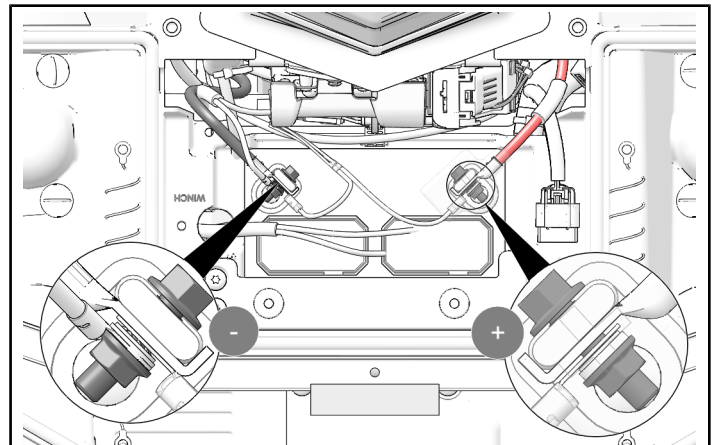


CONNECT BATTERY 450/570 MODELS

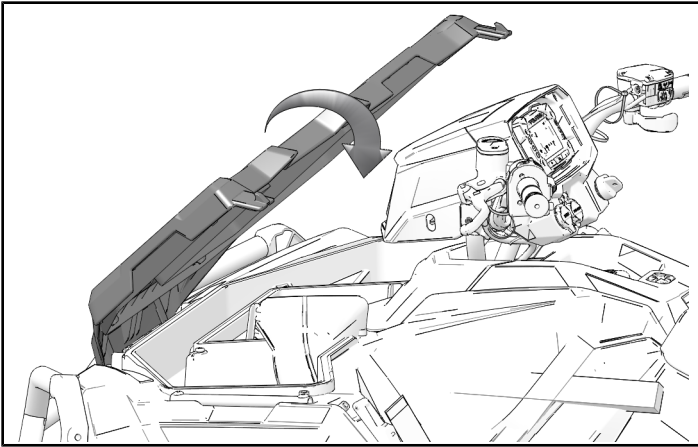
1. Connect positive wire to battery positive terminal. Connect negative wire to battery negative terminal.

IMPORTANT

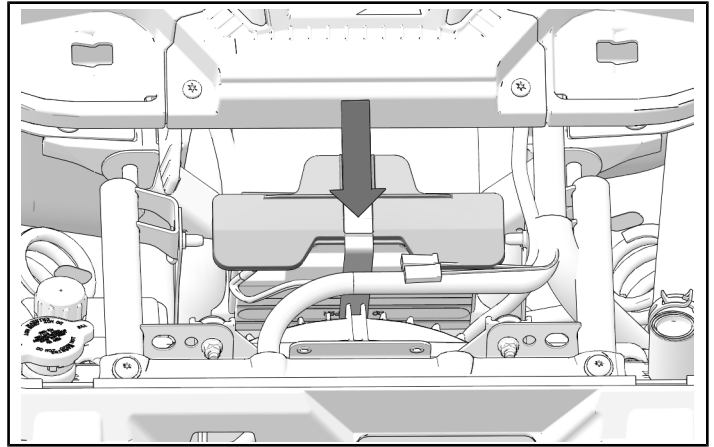
Always connect positive battery cable first.



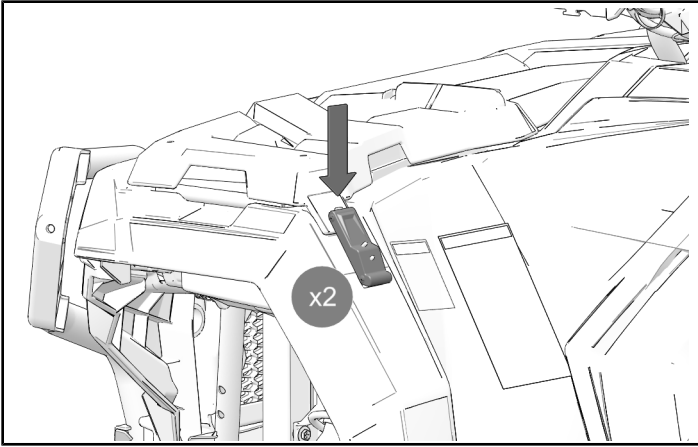
2. Close cargo platform.



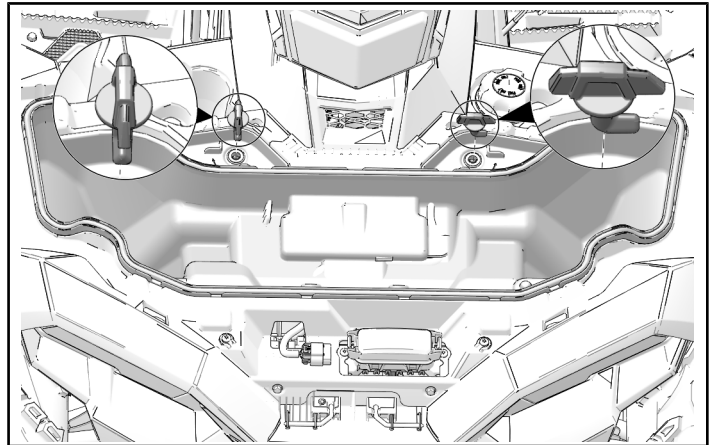
2. Put battery cover in place.



3. Connect two latches.



3. Install storage bin and lock in place.

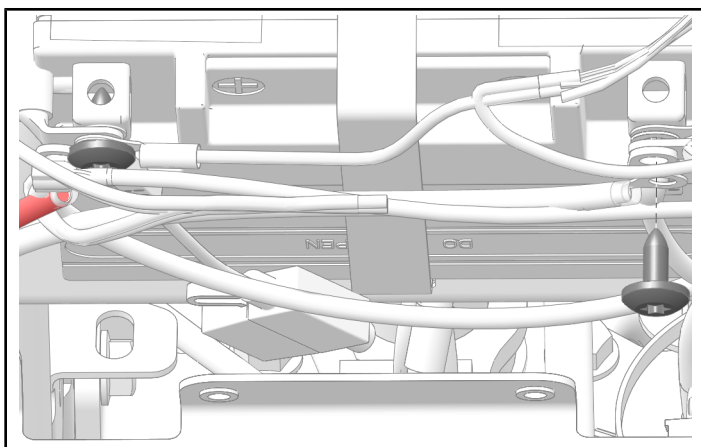


CONNECT BATTERY 850/1000 MODELS

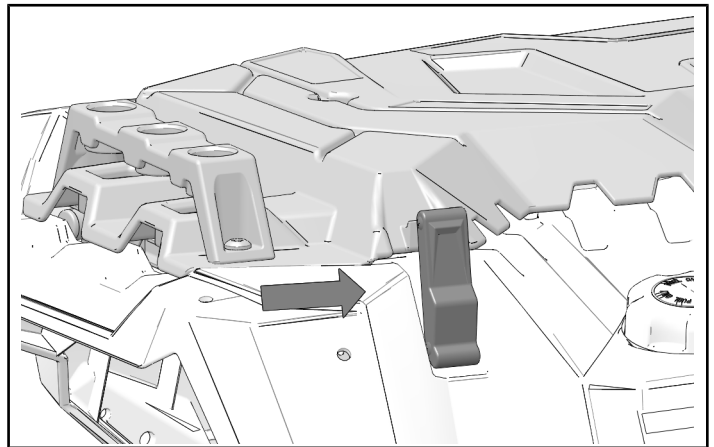
1. Connect positive battery cable to positive terminal on battery using retained battery connection screw. Connect negative battery cable to negative terminal on battery using retained battery connection screw.

IMPORTANT

Always connect positive battery cable first.



4. Install storage bin cover and secure with straps.



INSTRUCTION FEEDBACK FORM

A feedback form has been created for the installer to provide any comments, questions or concerns about the installation instructions. The form is viewable on mobile devices by scanning the QR code or by clicking [HERE](#) if viewing on a PC.

